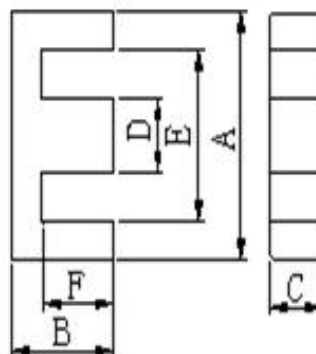


Lj E 2507 - GP44

A	25.05 ± 0.75	Core set parameters	
B	12.55 ± 0.25		
C	7.25 ± 0.25	C ₁	1.08mm^{-1}
D	7.25 ± 0.25	Le	57.49mm
E	18.0 ± 0.5	Ae	52.84mm^2
F	8.95 ± 0.25	Ve	3038mm^3
Approx. weight		14.9g/set	



Ungapped

Material	AL--nH	P _V --W/set	remarks
GP4	$1800 \pm 25\%$	$\leq 1.60(100\text{K}, 200\text{mT}, 5\text{Ts}, 100 \pm 3^\circ\text{C})$	
GP44	$1900 \pm 25\%$	$\leq 1.50(100\text{K}, 200\text{mT}, 5\text{Ts}, 100 \pm 3^\circ\text{C})$	
GP95	$2800 \pm 25\%$	$\leq 1.50(100\text{K}, 200\text{mT}, 5\text{Ts}, 100 \pm 3^\circ\text{C})$	

Gapped--AL values/air gaps examples

Material	Gap (mm)	AL--nH	remarks
GP44	0.10 ± 0.03	$438 \pm 5\%$	
	0.15 ± 0.03	$341 \pm 5\%$	
	0.20 ± 0.03	$285 \pm 5\%$	
	0.25 ± 0.03	$244 \pm 5\%$	
	0.30 ± 0.04	$218 \pm 3\%$	
	0.50 ± 0.05	$148 \pm 3\%$	
	1.00 ± 0.05	$88.5 \pm 3\%$	

Note: This is a single air gap product

GDBZ20200514330V1.0