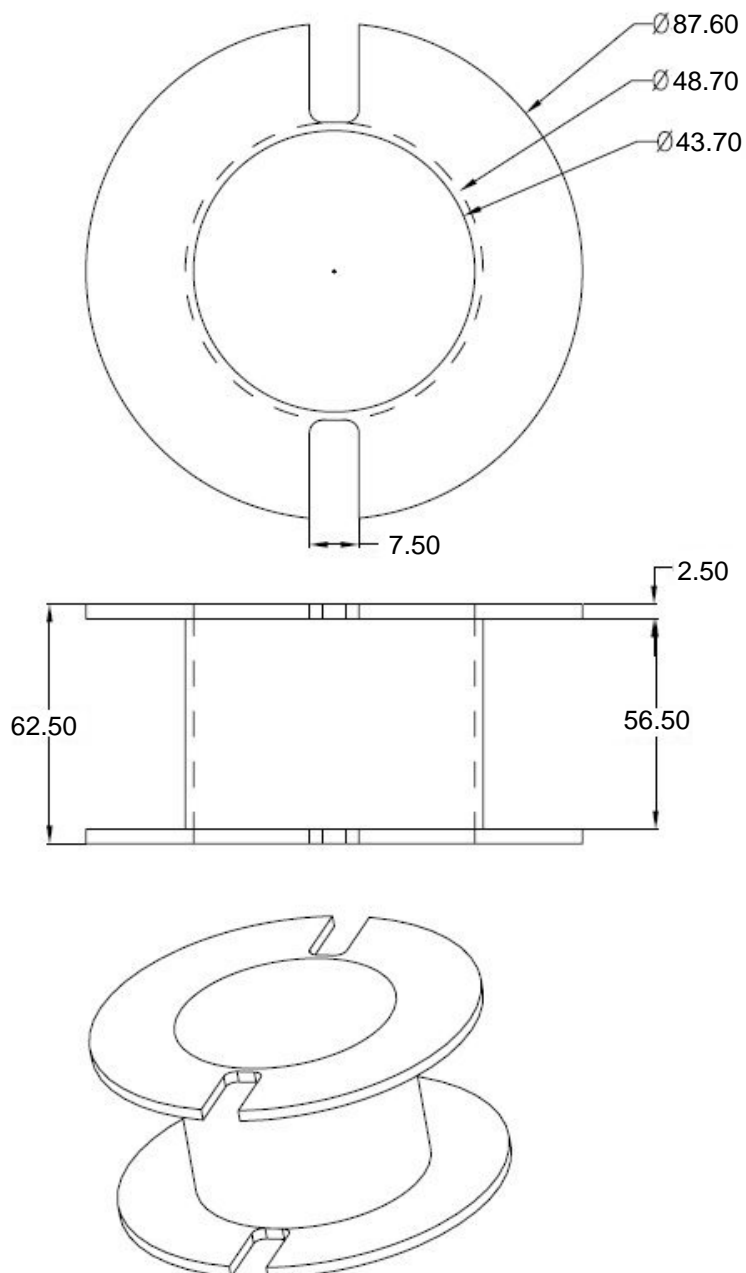


Lj P114/93v 1s aB&HM



Note:

(1) All dimensions are in mm

(2) y = Material Code *)

(3) x = Temperature Class *)

(4) Tolerance for all dimension:

$0 < L \leq 4: \pm 0,2$ mm

$4 < L \leq 16: \pm 0,3$ mm

$16 < L \leq 63: \pm 0,4$ mm

(5) Pin material: CP wire

(6) Tolerance of Pin Pitch: ($\pm 0,2$ mm)

*) Specification according to BOBBIN-MATERIALS