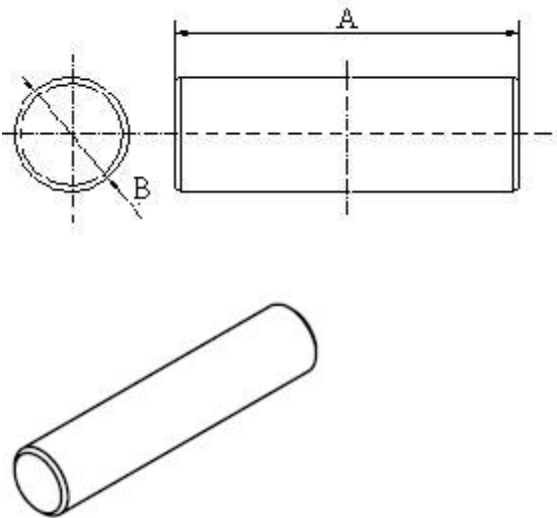


Lj R 4.00x22.5-TP4A &TG

1. DIMENSIONS (mm)

	DIMENSIONS (mm)	
	A	22.5±0.5
	B	4±0.2

CORE PARAMETERS	
Effective Length L_e	mm
Effective Cross Area A_e	mm ²
Effective Volume V_e	mm ³
Approx. Weight W	g/pcs

Item:	P/N:	SPEC. /N
FERRITE CORE		

Lj R 4.00x22.5-TP4A &TG

2. ELECTRICAL CHARACTERISTICS

ITEMS	SPEC	TESTING METHOD	TESTING INSTRUMENT
INDUCTANCE			HP4284A
POWER LOSS			
Q VALUE			
DC			

3. MATERIAL CHARACTERISTICS

MATERIAL: TP4A

CHARACTERISTICS	UNIT	VALUE
INITIAL PERMEABILITY μ_i	—	2400 ± 25%
SATURATION MAGNETIC FLUX DENSITY (H=1194A/m) B_s	25 °C	510
	100 °C	390
REMANENT FLUX DENSITY B_r	25 °C	110
COERCIVE FORCE H_c	25 °C	A/m
RELATIVE LOSS FACTOR $\tan \delta / \mu_i$	—	
RELATIVE TEMP. FACTOR $\alpha_{\mu ir}$	—	
CURIE TEMP. T_c	°C	≥ 215
ELECTRICAL RESISTIVITY ρ	Ω	6.5
DENSITY d	kg/m ³	4.8 × 10 ³
Item:	P/N:	SPEC. /N
FERRITE CORE		