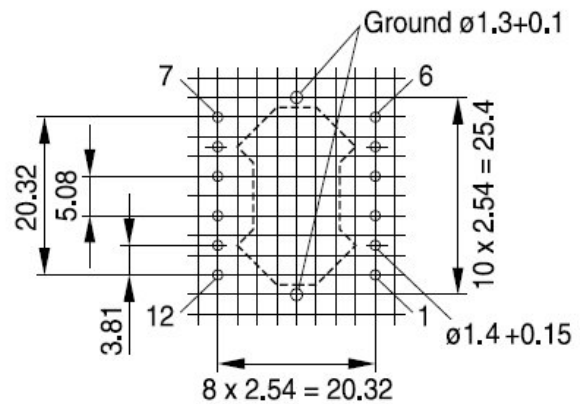


Note:

- (1) All dimensions are in mm
- (2) y = Material Code \*)
- (3) x = Temperature Class \*)
- (4) Tolerance for all dimension:
  - 0 < L ≤ 4: ±0,2 mm
  - 4 < L ≤ 16: ±0,3 mm
  - 16 < L ≤ 63: ±0,4 mm
- (5) Pin material: CP wire
- (6) Tolerance of Pin Pitch: (±0,2 mm)
- \*) Specification according to BOBBIN-MATERIALS



Hole arrangement  
View in mounting direction  
(Note half pitch!)



SEMIC TRADE, s.r.o.  
Volutová 2521/18  
158 00 Praha 5  
Czech Republic

[www.semic.cz](http://www.semic.cz)

[semic@semic.cz](mailto:semic@semic.cz)

tel.: +420 251 625 331, 332, 377

fax: +420 251 626 252, 393