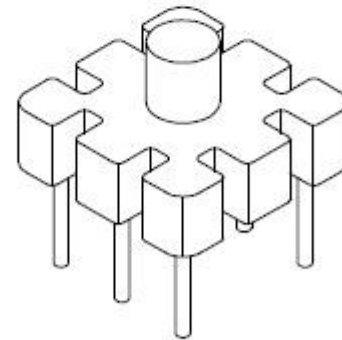
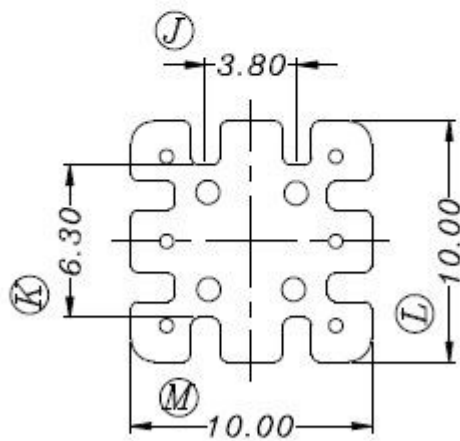
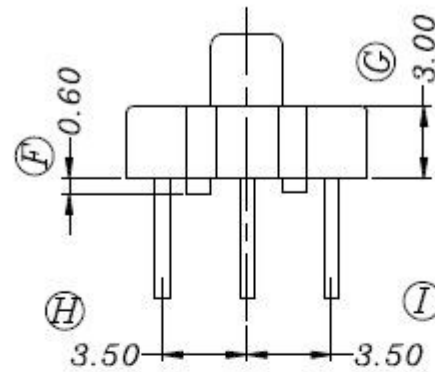
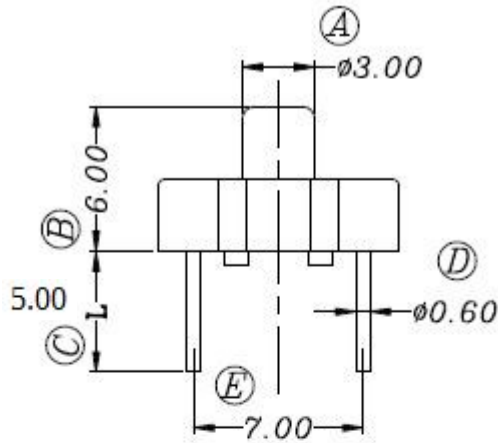


Lj T 1004-base 6p yx&SD



Note:

(1) All dimensions are in mm

(2) y = Material Code *)

(3) x = Temperature Class *)

(4) Tolerance for all dimension:

0 < L ≤ 4: ±0,2 mm

4 < L ≤ 16: ±0,3 mm

16 < L ≤ 63: ±0,4 mm

(5) Pin material: CP wire

(6) Tolerance of Pin Pitch: (±0,2 mm)

*) Specification according to BOBBIN-MATERIALS

Hole arrangement
View in
mounting direction

