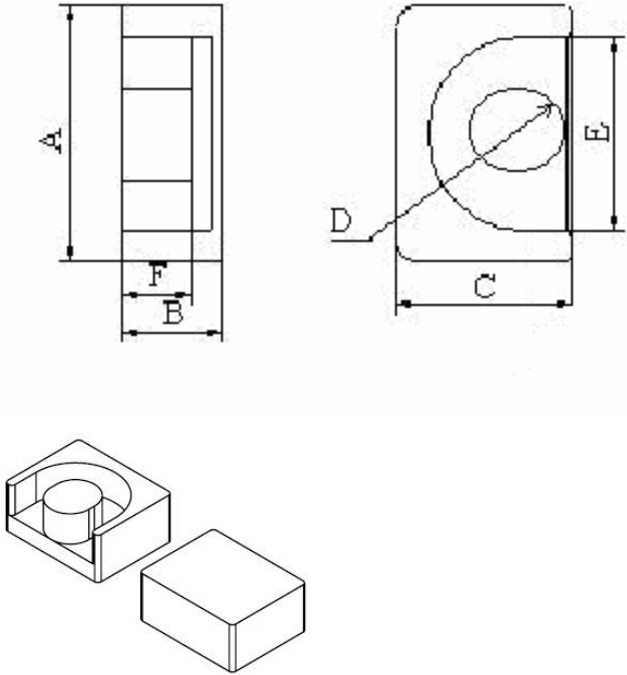


# Lj EP20 - TP4A 160nH &TG

## 1. DIMENSIONS (mm)

	DIMENSIONS (mm)	
	A	$24.0 \pm 0.5$
	B	$10.7 \pm 0.2$
	C	$15.0 \pm 0.4$
	D	$8.8 \pm 0.3$
	E	$16.5 \pm 0.4$
	F	$7.2 \pm 0.2$

### CORE PARAMETERS

Effective Length $L_e$	37.55 mm
Minimum Cross Area $A_{min}$	60.82 mm <sup>2</sup>
Effective Cross Area $A_e$	78.87 mm <sup>2</sup>
Effective Volume $V_e$	2961.33 mm <sup>3</sup>
Approx. Weight W	27 g/set

FERRITE CORE	TP4A-EP20-A160	

2. ELECTRICAL CHARACTERISTICS

ITEMS	SPEC	TESTING METHOD	TESTING INSTRUMENT
INDUCTANCE	AL:160±5% nH/N <sup>2</sup>	1kHz,0.3V,23±3 °C	HP-4284A
POWER LOSS	1.63W max	100kHz,200mT100±3 °C	CH-258
Q VALUE			
DC SUPERPOSITION L <sub>DC</sub>			
IMPEDANCE Z			

3. MATERIAL CHARACTERISTICS

MATERIAL: TP4A

CHARACTERISTICS	UNIT	VALUE
INITIAL PERMEABILITY $\mu_i$	—	2400±25%
SATURATION MAGNETIC FLUX DENSITY (H=1194A/m) $B_s$	mT	510
		390
REMANENT FLUX DENSITY $B_r$	mT	110
COERCIVE FORCE $H_c$	A/m	13
RELATIVE LOSS FACTOR $\tan \delta / \mu_i$	—	
RELATIVE TEMP.FACTOR $\alpha_{\mu ir}$	—	
CURIE TEMP. $T_c$	°C	215
ELECTRICAL RESISTIVITY $\rho$	$\Omega$	6.5
DENSITY $d$	kg/m <sup>3</sup>	4.8×10 <sup>3</sup>
FERRITE CORE	TP4A-EP20-A160	



Semic Trade, s.r.o., Volutová 2521/18, 158 00 Praha 5  
 Telephone: +420 251 625 331, 251 625 332, 251 625 377  
 GSM: +420 605 999 994 Fax: +420 251 626 252, 251 626 393



[www.semic.cz](http://www.semic.cz)  
[semic@semic.cz](mailto:semic@semic.cz)