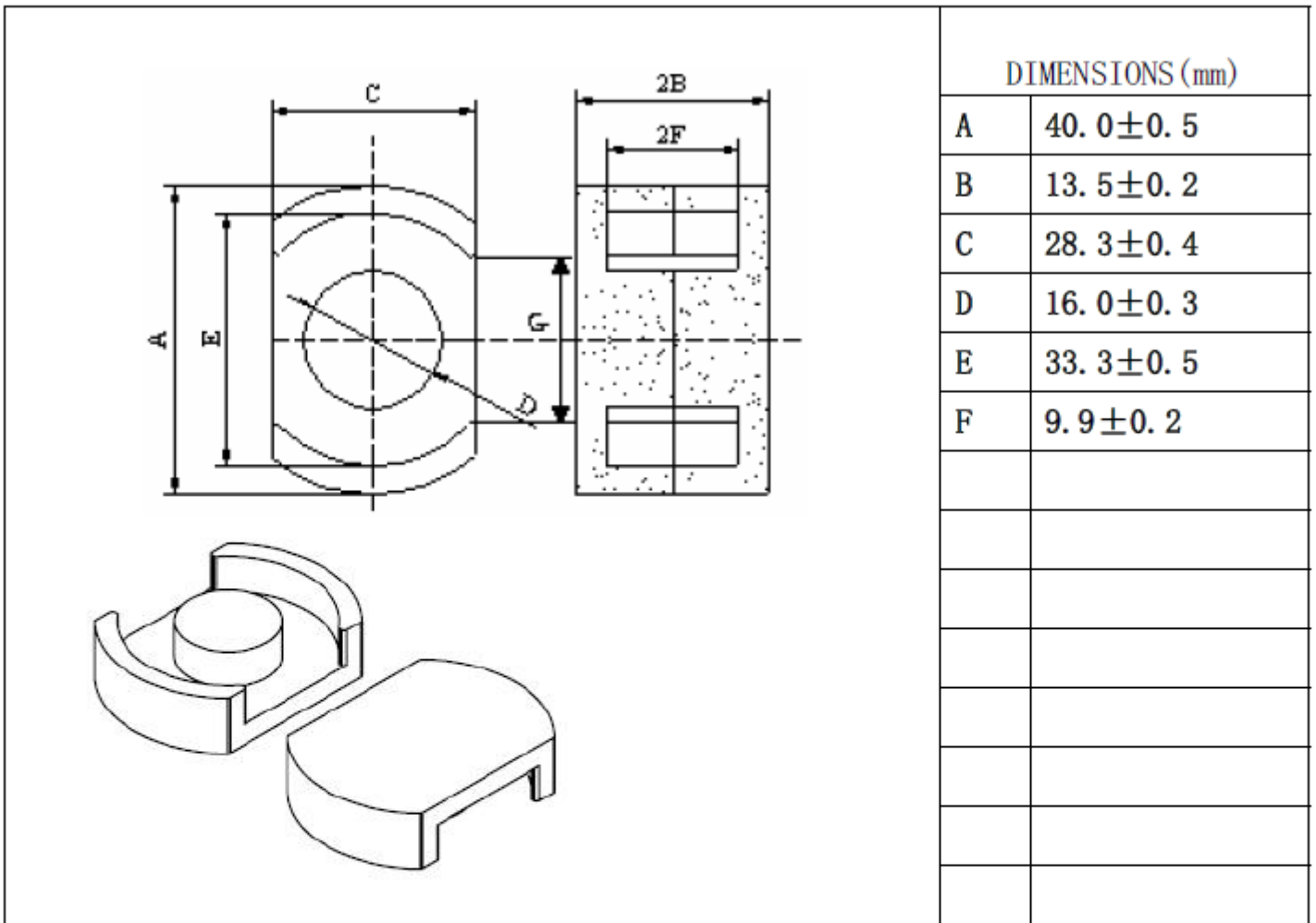


# Core P 40x27 TP4A



CORE PARAMETERS		
Effective Length $L_e$	77.69	mm
Effective Cross Area $A_e$	198.38	mm <sup>2</sup>
Effective Volume $V_e$	15411.75	mm <sup>3</sup>
Approx. Weight $W$	74.4	g/prs

## ELECTRICAL CHARACTERISTICS

ITEMS	SPEC	TESTING METHOD	TESTING INSTRUMENT
INDUCTANCE	$L : 600 \pm 25\% \mu H$	1kHz,0.3V,23±3°C 10Ts	HP-4284A
POWER LOSS	max 8.5 W	100kHz,200mT,100±3°C	CH-258
Q VALUE			
DC SUPERPOSITION $L_{DC}$			
IMPEDANCE Z			

## MATERIAL CHARACTERISTICS

MATERIAL: TP4A

CHARACTERISTICS		UNIT	VALUE
INITIAL PERMEABILITY	$\mu_i$	—	2400±25%
SATURATION MAGNETIC FLUX DENSITY (H=1194A/m)	$B_s$	25°C	510
		100°C	390
REMANENT FLUX DENSITY	$B_r$	25°C	mT
			110
COERCIVE FORCE	$H_c$	25°C	A/m
			13
RELATIVE LOSS FACTOR	$\tan \delta / \mu_i$	—	
RELATIVE TEMP.FACTOR	$\alpha_{\text{air}}$	—	
CURIE TEMP.	$T_c$	°C	215
ELECTRICAL RESISTIVITY	$\rho$	$\Omega$	6.5
DENSITY	d	kg/m <sup>3</sup>	4.8×10 <sup>3</sup>