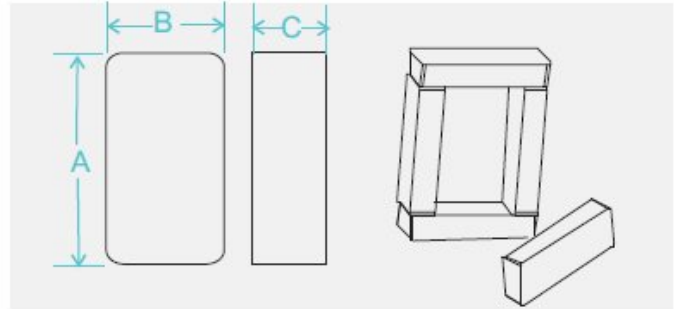


SPECIFICATION FOR APPROVAL

1. Material

Production:	Block Cores
KDM.P/N:	S6030B-E15-090
A_L :	$224(nH/N^2) \pm 12\%$
Material:	90 μ
Coating Color:	Uncoated
Coating material:	
Coating Breakdown Voltage:	



2. Physical Characteristics

Cores Dimension(mm)			l_e (cm)	A_e (cm ²)	V (cm ³)	W (cm ²)	Weight	Box Quantity (Pieces)
A (± 0.5)	B (± 0.3)	C (± 0.4)						
60.5	30.3	15.0	22.710	4.500	102.20	18.00	162.0g	60

3. Electrical Parameters(Typical) Temperature(25°C \pm 2°C)

Test Item	Test Condition	Value(Typical)
Inductance	ϕ 1.2mm/100Ts, 20kHz/1V, $I_{DC}=0A$ (two Winding Parallel)	2.24mH \pm 12%
DC-Bias	ϕ 1.2mm/100Ts, 20kHz/1V, $I_{DC}=9.1A(H_{DC}=50Oe)$ (two Winding Parallel)	1.13mH(Min.)
Core Loss	50kHz/1000Gs	350mW/cm ³ (Max.)
Remarks		

4. Typical Part Number

