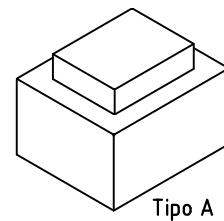
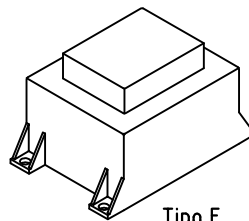
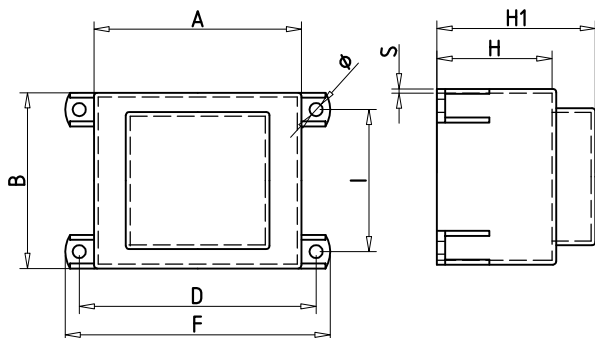
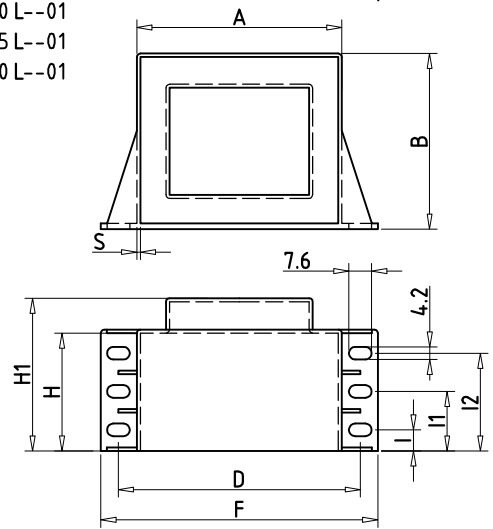
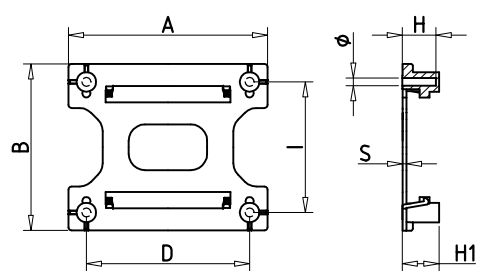
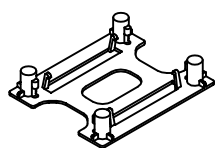
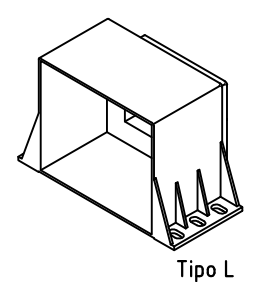


A	B	E1	E2	S1	H	S2	I	L	K	X1	Y	C	P	E	CODICE
42.6	38.2	38.4	43.2	1.3	26.6				10.6	5x6	32.5	20.7	21.2	29.7	R2020H17YXX--01
42.6	38.2	38.4	43.2	1.3	26.6	2.0	11.6	13.0	10.6	5x6	32.5	20.7	21.2	29.7	R2020H27YXX--01
47.0	38.2	38.4	43.2	1.3	26.6				10.6	5x6	32.5	20.7	25.6	29.7	R2025H17YXX--01
47.0	38.2	38.4	43.2	1.3	26.6	2.0	11.6	13.0	10.6	5x6	32.5	20.7	25.6	29.7	R2025H27YXX--01
52.0	38.2	38.4	43.2	1.3	26.6				10.6	5x6	32.5	20.7	30.6	29.7	R2030H17YXX--01
52.0	38.2	38.4	43.2	1.3	26.6	2.0	11.6	13.0	10.6	5x6	32.5	20.7	30.6	29.7	R2030H27YXX--01

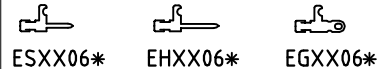
A1	B1	H	S2	I	L	C	P	E	CODICE
45.7	39.4	26.6	2.0	11.6	13.0	20.7	21.2	29.7	LAH2020YXX2--01
50.1	39.4	26.6	2.0	11.6	13.0	20.7	25.6	29.7	LAH2025YXX2--01
55.1	39.4	26.6	2.0	11.6	13.0	20.7	30.6	29.7	LAH2030YXX2--01



A	B	S	H	H1	F	D	I	I1	I2	∅	C	P	E	CODICE
63.6	53.6	1.2	34.5	48.0	81.2	72.5	43.5			4.2	20	20	30	COH2020E--01
63.6	53.6	1.2	39.0	52.5	81.2	72.5	43.5			4.2	20	25	30	COH2025E--01
63.6	53.6	1.2	44.0	57.5	81.2	72.5	43.5			4.2	20	30	30	COH2030E--01
63.6	53.6	1.2	34.5	48.0							20	20	30	COH2020A--01
63.6	53.6	1.2	39.0	52.5							20	25	30	COH2025A--01
63.6	53.6	1.2	44.0	57.5							20	30	30	COH2030A--01
63.2	53.8	1.2	33.9	44.7	87.0	75.0	11.0	24.0			20	20	30	COR2020 L--01
63.2	53.8	1.2	38.4	49.2	87.0	75.0	11.0	24.0			20	25	30	COR2025 L--01
63.2	53.8	1.2	43.4	54.2	87.0	75.0	11.0	24.0	37.0		20	30	30	COR2030 L--01



*Terminali compatibili con possibilità di inserimento nelle posizioni richieste



A	B	S	H	H1	D	I	∅	C	CODICE
61.0	51.0	0.9	10.0	11.0	52.5	40.0	2.4	20	AB20--