

## Shielded Common Mode Choke – SPB\_P4 Type

### Features:

- Low profile, very effective in space-conscious applications.
- Low resistance and high energy storage.

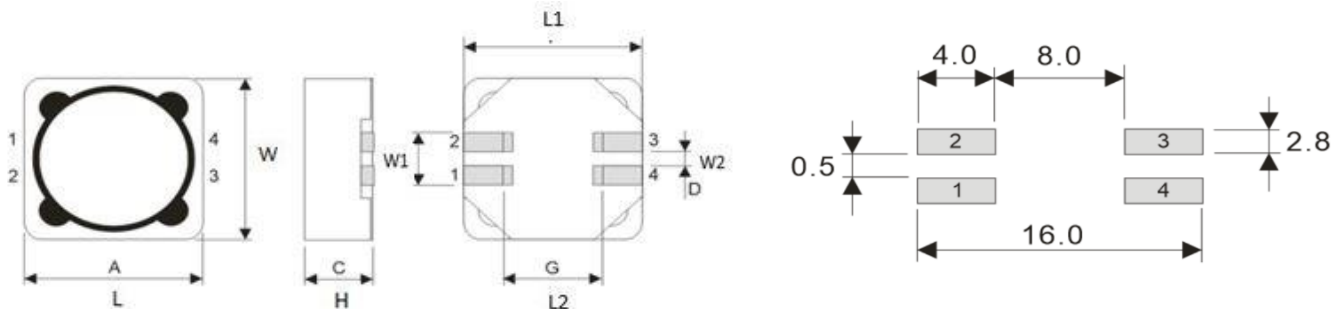
### Applications:

- VTR, OA equipment, digital camera, LCD TV, notebook, PC, portable communication equipments, DC/DC converters, power supply.

### Shape and dimension:

Part Number	Dimensions (mm)						
	L	W	H	W1	W2	L1	L2
SPB125P4	12±0.30	12±0.30	6.5 Max	5.0 Typ	1.5 Typ	12.0 Typ	6.5 Typ
SPB127P4	12±0.30	12±0.30	8.0 Max	5.0 Typ	1.5 Typ	12.0 Typ	6.5 Typ
SPB129P4	12±0.30	12±0.30	10.0 Max	5.0 Typ	1.5 Typ	12.0 Typ	6.5 Typ

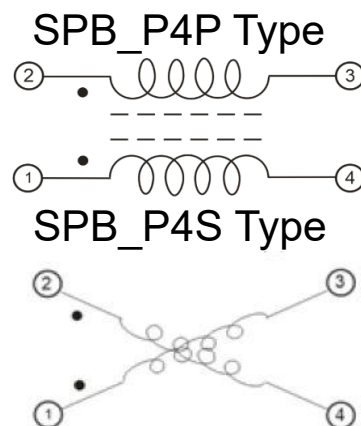
1. Operating temperature -40°C ~ +125°C
2. Storage conditions -40°C ~ +40°C, 75% RH max



### Material list:

No.	Location	Material
1	Core	Ni-Zn Ferrite
2	Wire	Grade1 P180
3	Solder	Sn99.3 Cu0.7
4	Base	B-12X-A
5	Epoxy	G500HF

### Equivalent Circuit Schematic:



## Specifications of SPB125S4S:

Part No.	Inductance		DCR (mΩ)	Rated Current (A)	Test Frequency
	(μH)		Max.	Max.	
SPB125P4S(P)-3R3M	3,3	± 30%	7,6	12,70	100KHz/0.25V
SPB125P4S(P)-220M	22	± 20%	90	2,80	100KHz/0.25V
SPB125P4S(P)-470M	47	± 20%	174	3,25	100KHz/0.25V
SPB125P4S(P)-680M	68	± 20%	280	2,62	100KHz/0.25V
SPB125P4S(P)-820M	82	± 20%	300	2,05	100KHz/0.25V
SPB125P4S(P)-821M	820	± 20%	770	1,49	100KHz/0.25V

## Specifications of SPB127P4S:

Part No.	Inductance		DCR (mΩ)	Rated Current (A)	Test Frequency
	(μH)		Max.	Max.	
SPB127P4S(P)-100M	10	± 20%	17,2	11,20	100KHz/0.25V
SPB127P4S(P)-150M	15	± 20%	31,0	9,70	100KHz/0.25V
SPB127P4S(P)-220M	22	± 20%	92,0	6,20	100KHz/0.25V
SPB127P4S(P)-470M	47	± 20%	95,0	4,00	100KHz/0.25V
SPB127P4S(P)-600M	60	± 20%	112,0	4,00	100KHz/0.25V
SPB127P4S(P)-900M	90	± 20%	180,0	3,00	100KHz/0.25V
SPB127P4S(P)-101M	100	± 20%	208,0	3,00	100KHz/0.25V
SPB127P4S(P)-221M	220	± 20%	780,0	1,16	100KHz/0.25V
SPB127P4S(P)-301M	300	± 20%	1040,0	1,10	100KHz/0.25V
SPB127P4S(P)-821M	820	± 20%	3185,0	1,14	100KHz/0.25V
SPB127P4S(P)-102M	1000	± 20%	1820,0	0,55	100KHz/0.25V

## Specifications of SPB129P4S:

Part No.	Inductance		DCR (mΩ)	Rated Current (A)	Test Frequency
	(μH)		Max.	Max.	
SPB129P4S(P)-100M	10	± 20%	60	6,00	100KHz/0.1V
SPB129P4S(P)-330M	33	± 20%	100	5,20	100KHz/0.1V