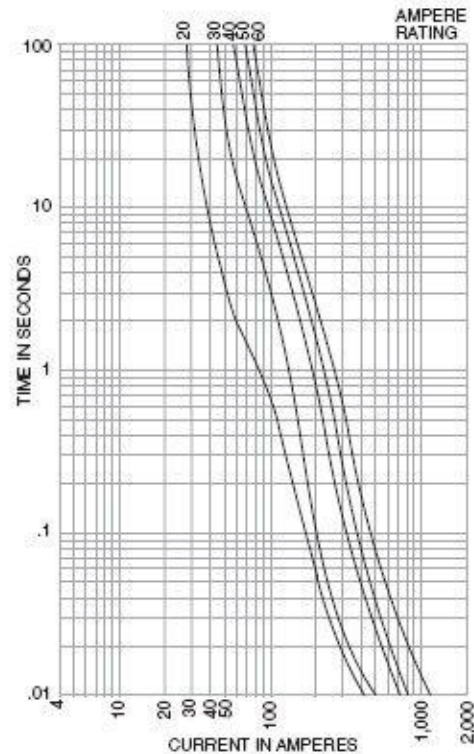
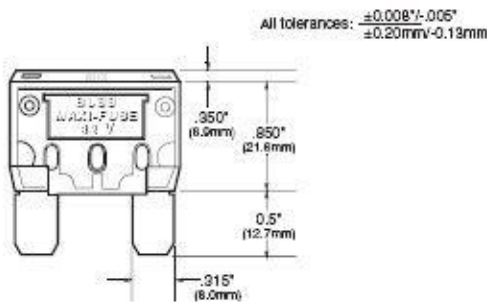




**Time-Current Characteristic Curves—Average Melt**



**Dimensional Data**



**Catalog Symbol:** MAX

**Fast-Acting**

**Ampere Rating:** 20 to 80 Amperes

**Interrupting Rating:** 1,000 Amperes

**Ordering:** Specify packaging and product code

SPECIFICATIONS		
Product Code	Body Color	Voltage Rating DC
MAX-20	Yellow	32V
MAX-30	Green	32V
MAX-40	Orange	32V
MAX-50	Red	32V
MAX-60	Blue	32V
MAX-70	Tan	32V
MAX-80	Natural	32V

**Recommended Bussmann Fuseholders**

Blade-Type	Part	Description	Fuse Size	Wire Size
MAX	H-X	Fuseholder w/Cover	20-60 Amps	#6 Lead Wire;
	H-X-B	Body Only		5" Length
	H-X-C	Cover Only		

PACKAGING CODE	
Packaging Code	Description
Blank	1 pieces of fuses packed in a tin
BK	250 pieces of fuses packed in a carton