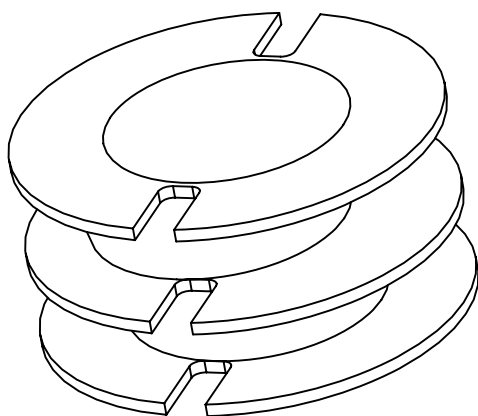
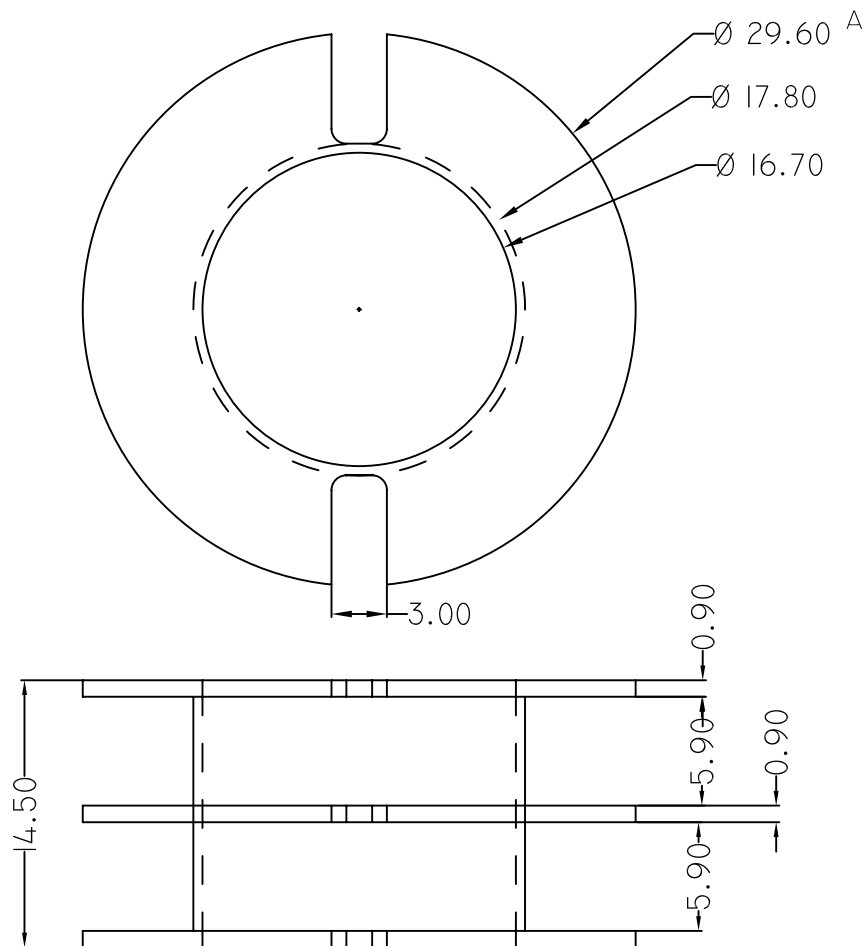


Lj P36x22-kostra 2s Sd



NOTE:

- (1) All dimensions are in mm.
- (2) Weight[g]: 1.8
- (3) Tolerance for all dimension is (± 0.2 mm)
- (4) Molding material:
(a) Deralin