

HHT

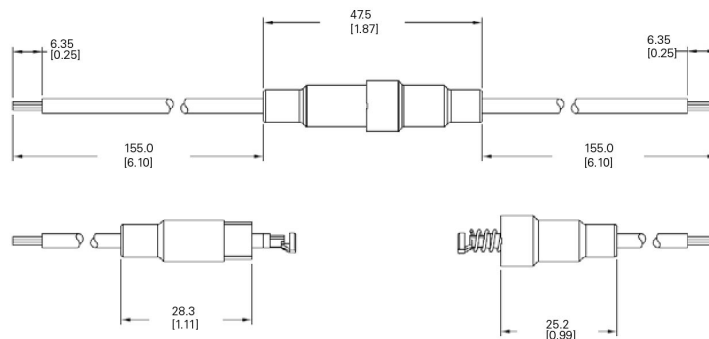
5 mm x 15 mm and 5 mm x 20 mm in-line fuse holder



Product features

- Accepts both 5 mm x 15mm or 5 mm x 20mm fuses.
- Two piece screw together assembly.
- An economical and versatile fuseholder
- Ideal for normal environments.
- Wire leads included.

Dimensions- mm [in]



Part number: HHT

Body Material: Black thermoplastic

Wire Leads: 16 Awg; color: red

Terminals: Brass

Overall Length: 14" ± .25"

Body Dimensions: 1.87" Length, 0.42" Diameter

Product Weight: 17.5 lbs. per 1000 pieces

Electrical Ratings:

- 5 mm x 15mm fuses: 250 Vac/32 Vdc, 5 A
- 5 mm x 20mm fuses: 250 Vac/32 Vdc, 10 A

Environmental Data:

- Temperature Range: -40 °C to +80 °C
- Lead Pull Test: 10 lbs. pull force

Ordering

- Specify packaging code and part number (HHT or BK-HHT)

Packaging Code- (specify when ordering)	
Packaging Code Prefix	Description
Blank	100 piece carton (standard packaging)
BK	1000 piece box (bulk packaging)

Life Support Policy: Eaton does not authorize the use of any of its products for use in life support devices or systems without the express written approval of an officer of the Company. Life support systems are devices which support or sustain life, and whose failure to perform, when properly used in accordance with instructions for use provided in the labeling, can be reasonably expected to result in significant injury to the user.

Eaton reserves the right, without notice, to change design or construction of any products and to discontinue or limit distribution of any products. Eaton also reserves the right to change or update, without notice, any technical information contained in this bulletin.