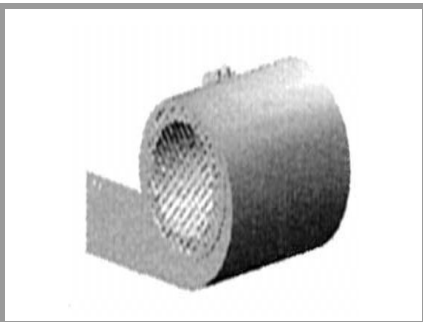


SKF16A 230-11 50/60Hz



Radial Fan

Radial Fan

SKF16A 230-11 50/60Hz

Features

- Low noise level
- Long-life, maintenance free ball bearings
- Blowing fan
- Integrated capacitor (when needed)

Characteristics						
Symbol	Conditions		min.	typ.	max.	Unit
Max. volume	$V_1 = 230\text{ V}$	$f = 50\text{ Hz}$		615		m^3/h
		$f = 60\text{ Hz}$		575		m^3/h
P	$V_1 = 230\text{ V}$	$f = 50\text{ Hz}$		135		W
		$f = 60\text{ Hz}$		154		W
T_{amb}	$V_1 = 230\text{ V}$	$f = 50\text{ Hz}$		50		$^{\circ}\text{C}$
		$f = 60\text{ Hz}$		40		$^{\circ}\text{C}$
Noise	$V_1 = 230\text{ V}$	$f = 50\text{ Hz}$		55		dB
		$f = 60\text{ Hz}$		57		dB
Weight				3.6		kg
Size	Width x Depth x Height		215	70	184	mm

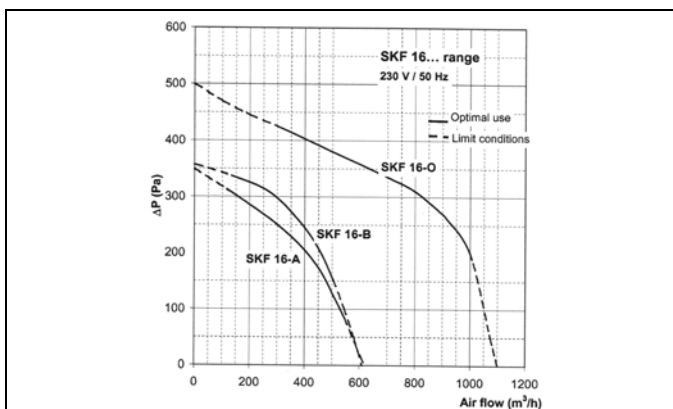
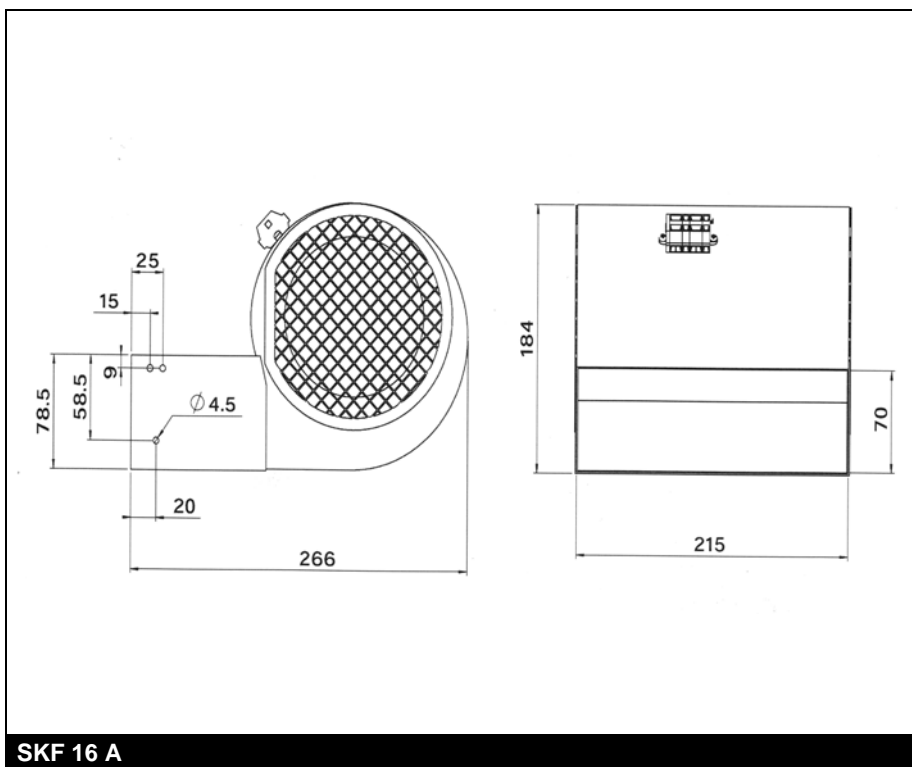


Fig. 1 Characteristic pressure drop vs. air flow radial



SKF 16 A