



Radial fan

General characteristics		$T_{AMBIENT} = T_{AIR\ COOLING} = 40^{\circ}C$ unless otherwise specified			
Symbol	Conditions	Values		Unit	
V_{SUPPLY}	Voltage supply	230		V_{AC}	
f	Frequency	47	50	52	Hz
QV	Maximum air flow at no load	at 50Hz		1 150	m^3/h
P_{FAN}	Maximum input power	at 50Hz		300	W
$I_{Blocked\ rotor}$	Maximum current when rotor blocked				A
m	Weight	4,2			kg
LTE	Life time expectancy	at 50Hz		40 000	h
$T_{STORAGE}$	Storage/Transport permissible temperature	-40	80		$^{\circ}C$
S&V	Shock & vibration in storage (IEC 60721-3)	2M1			-
IP	Protection level	IP44			-

Fan accessories

AC radial fan dual inlet

Preliminary datasheet

Ordering No. 15800543

Description SKF 160-230-02

Features

- AC radial fan 146mm impeller diameter with ball bearings
- Material
 - housing and impeller: sheet steel, hot-dip galvanised
 - rotor surface: partially cast in aluminum
- Motor internal thermal protection
- Includes capacitor 8 μ F/400V
- Compliance: CCC
- Environment: RoHS, REACH, ErP 2013

Typical Applications

- Px308 heatsink cooling
- SEMIKUBE heatink cooling
- Cabinet air management

Footnotes

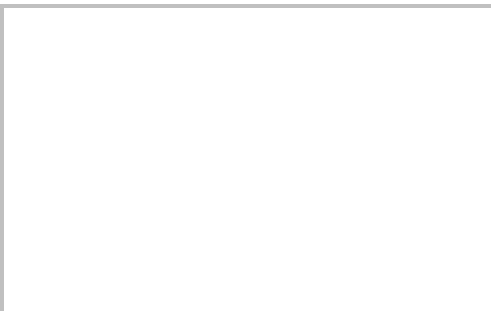
¹⁾ to get the optimum operating point it is mandatory to have a chamber along Px308 heatsink profile to properly lead the airflow through heatsink fins.

REMARKS

This technical information specifies fan devices but promises no characteristics. No warranty or guarantee, expressed or implied is made regarding delivery, performance or suitability.

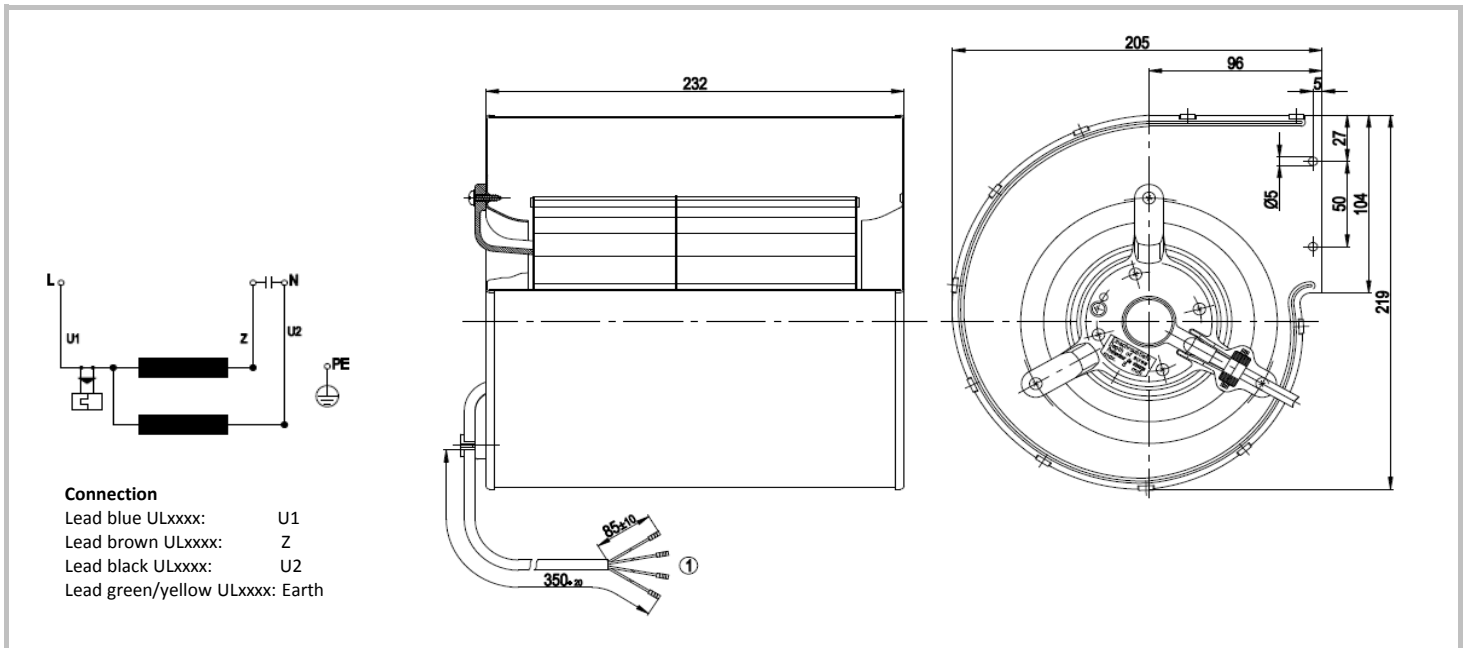
Standard operation with profile Px308 ¹⁾

Symbol	Conditions	min	typ	max	Unit
V_{SUPPLY}	Rated voltage supply	230			mm
f	Rated input frequency	50			Hz
QV	Operating airflow	770			m^3/h
SP	Operating static pressure	320			Pa
P_{FAN}	Rated power input	270			W
I	Rated input current	1,2			A
-	Noise level				dB[A]
$T_{AMBIANT}$	Operating ambient temperature	-25	40	50	$^{\circ}C$

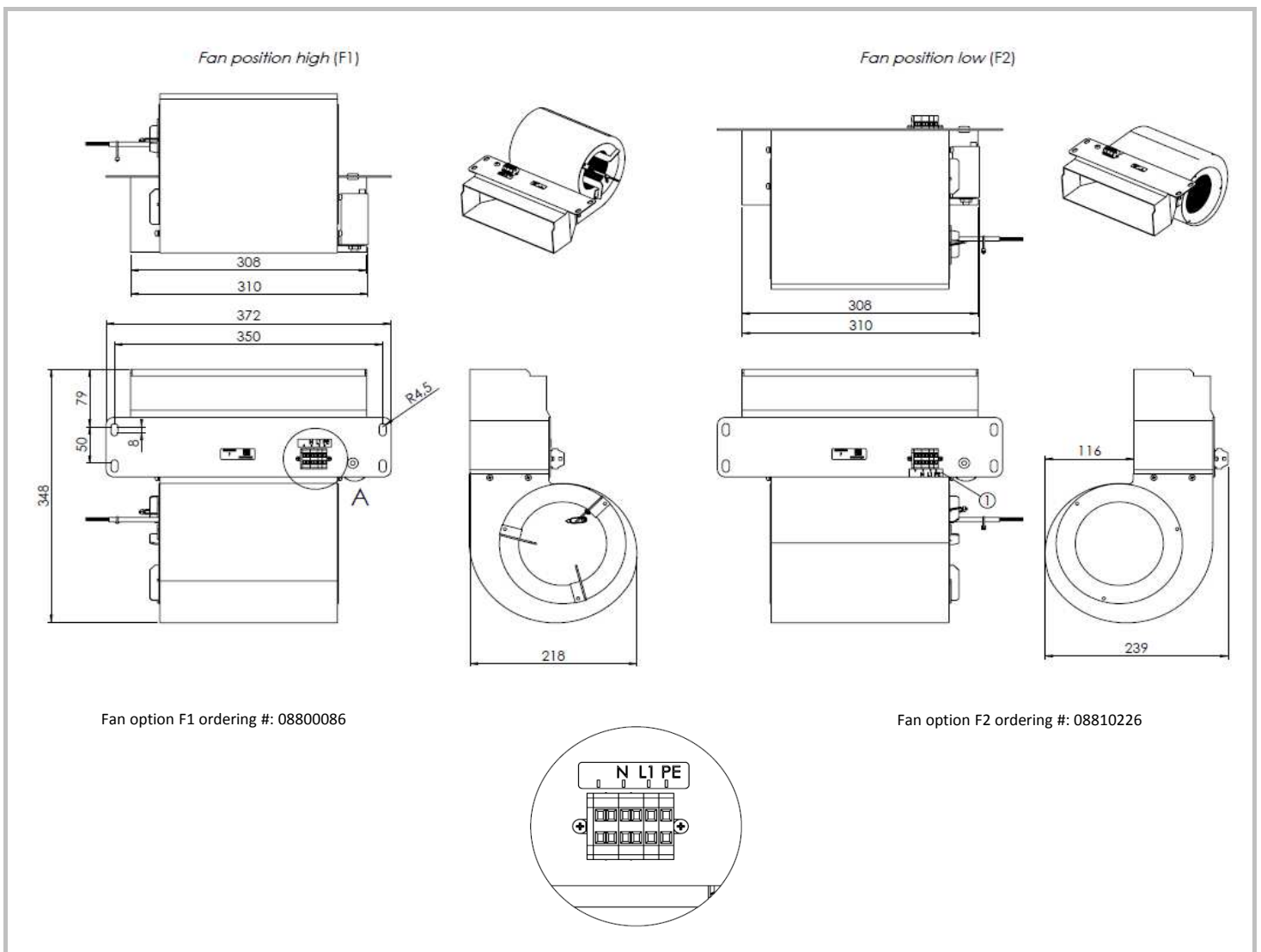


Accessory



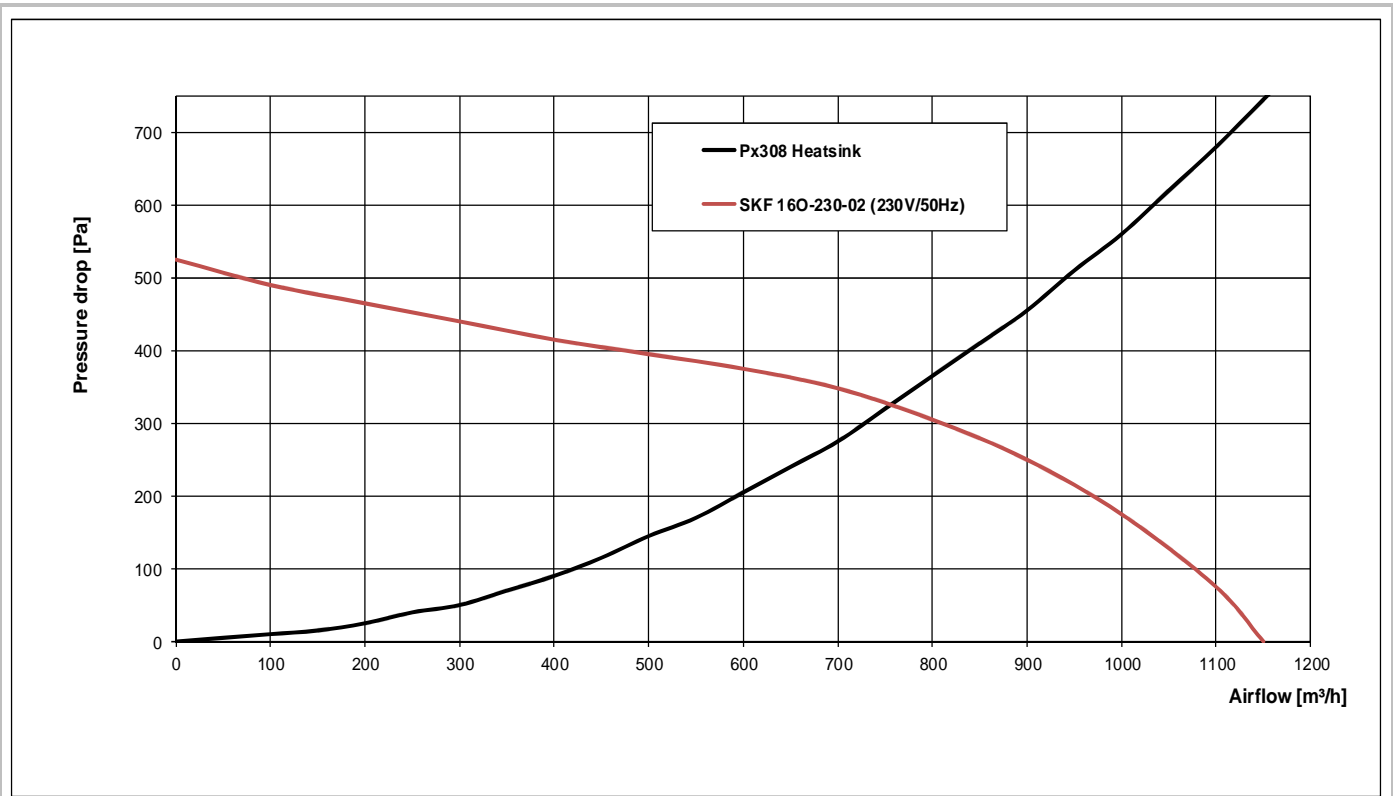


Fan case drawing



SEMİKUBE fan option case drawing

This technical information specifies semiconductor devices but promises no characteristics. No warranty or guarantee expressed or implied is made regarding delivery, performance or suitability.



Static pressure vs. Airflow