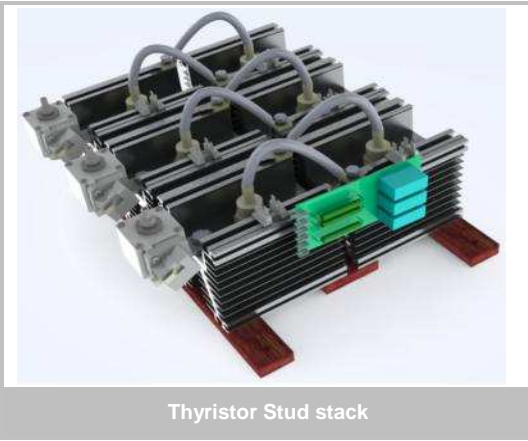


# SKS 170N W3C 150 V16 SU



Electrical Characteristics						
Symbol	Conditions		min	typ	max	Unit
Electrical Data						
$I_{OUT}$	Maximum output current	$T_{AMBIENT} = 45^{\circ}C$ ; No overload		170		$A_{RMS}$
$V_{AC}$	Maximum AC voltage (+/-10%)			500		$V_{AC}$
$P_{TOTAL}$	Maximum stack power			150		kW
$P_{LOSS}$	Stack power loss ( $T_{AMBIENT} = 45^{\circ}C$ )					W

Environmental Data						
Symbol	Conditions		min	typ	max	Unit
Mechanical Data						
Drawing	SEMIKRON document number.revision.version			<b>12051012.01.B</b>		-
Weight	Approximate total weight			14.7		kg
Altitude	Installation altitude without derating				1 000	m
Protection	IEC 60529			IP00		-
Pollution Degree	EN 50178			2		-

## SEMISTACK® CLASSICS - W3C

Three phase reverse parallel thyristor converter

### Preliminary Data

Ordering No. 08785217  
Description SKS 170N W3C 150 V16 SU

### Features

- Non-isolated power stacks
- SKT 160/16
- Heatsink P1/150
- Natural cooling
- RC circuit included
- Fuses with microswitches

### Typical Applications

- Soft starters

### Remarks

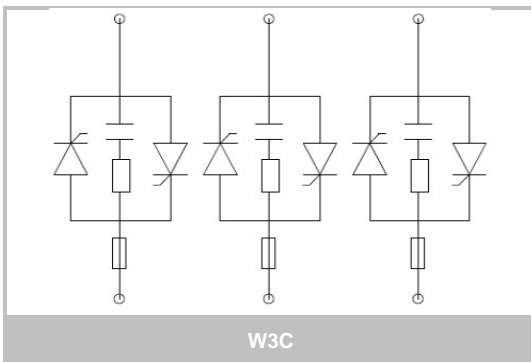
This technical information specifies semiconductor devices but promises no characteristics. No warranty or guarantee, expressed or implied, is made regarding delivery, performance or suitability.

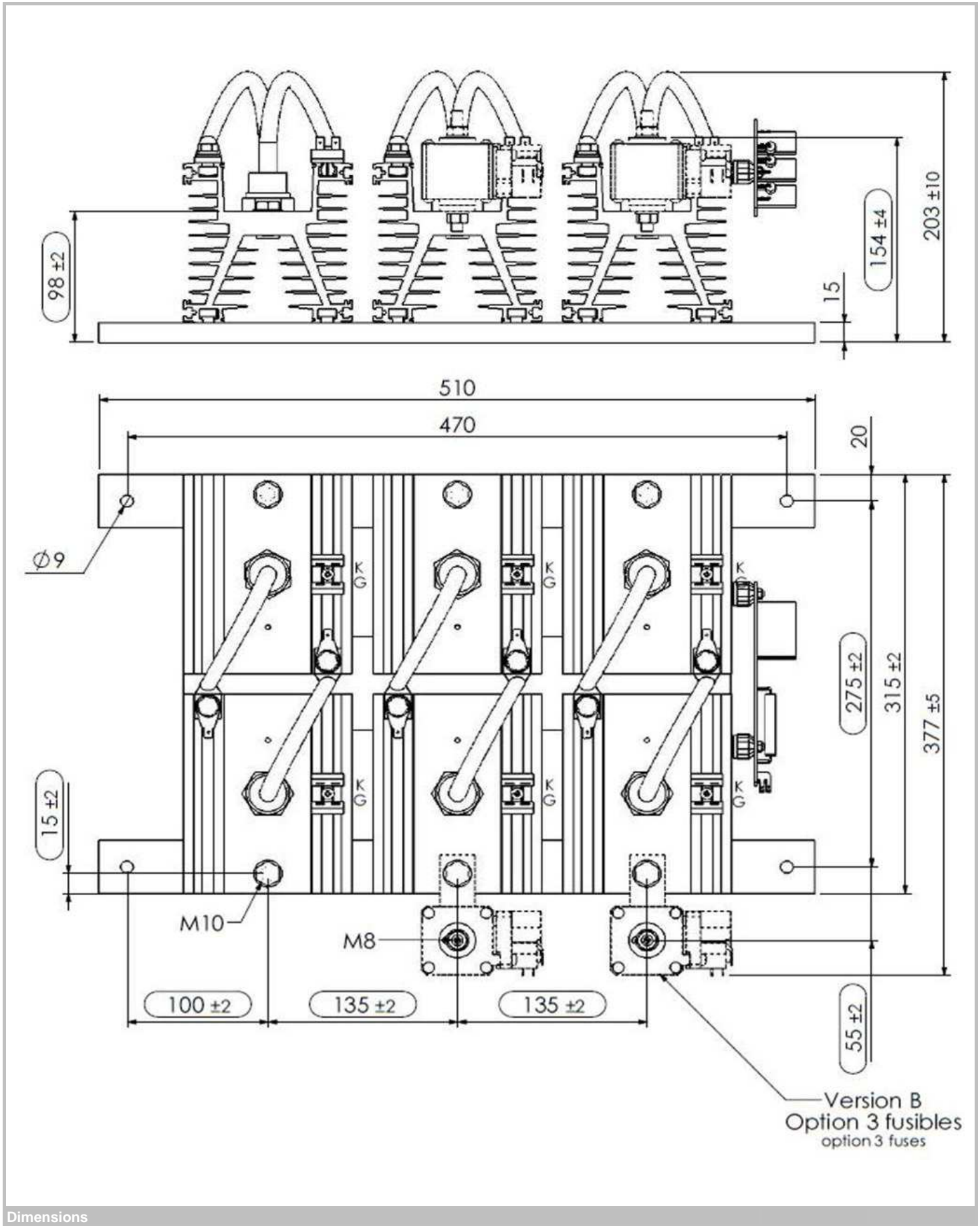
### Stack Protection

Symbol	Conditions		min	typ	max	Unit
RC Circuit						
Type	RC in parallel with each switch			<b>RC25B</b>		-
R	Resistance (10W)			68		Ohm
C				0.1		$\mu F$

### Fuses

Size	1 fuse per phase, with microswitches		<b>30</b>		-
$I_{N RMS}$	Caliber		400		A
$U_N$	Nominal voltage (IEC)		690		V
$I^2t$	Total at $U_N$ at room temperature (approx. 20...25°C)			126	$kA^2s$





Dimensions

This technical information specifies semiconductor devices but promises no characteristics. No warranty or guarantee expressed or implied is made regarding delivery, performance or suitability.