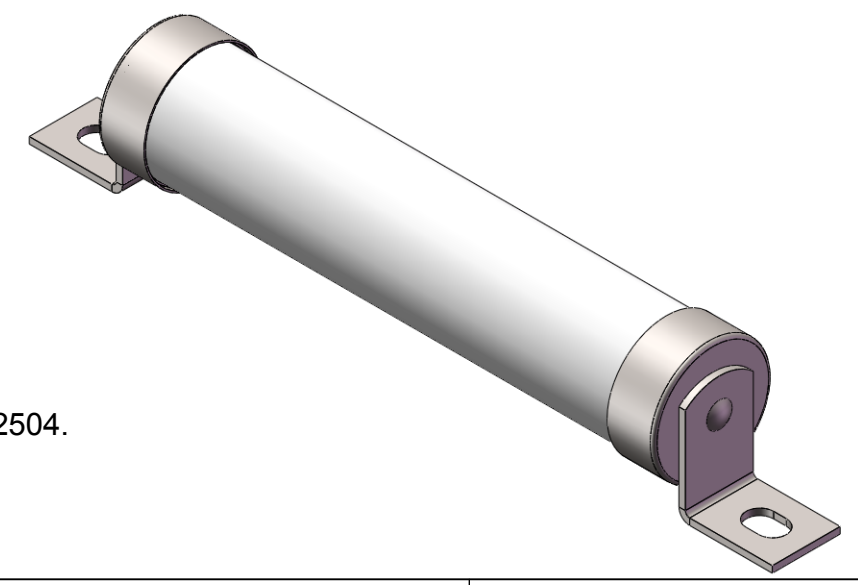
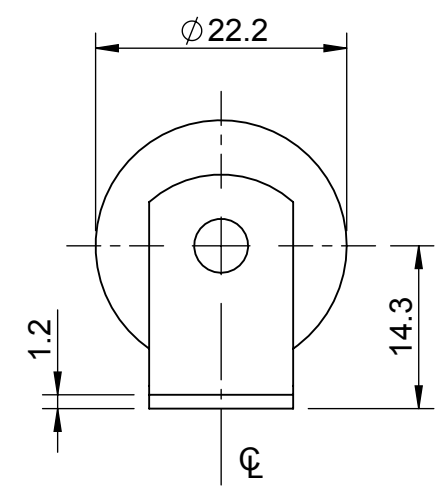
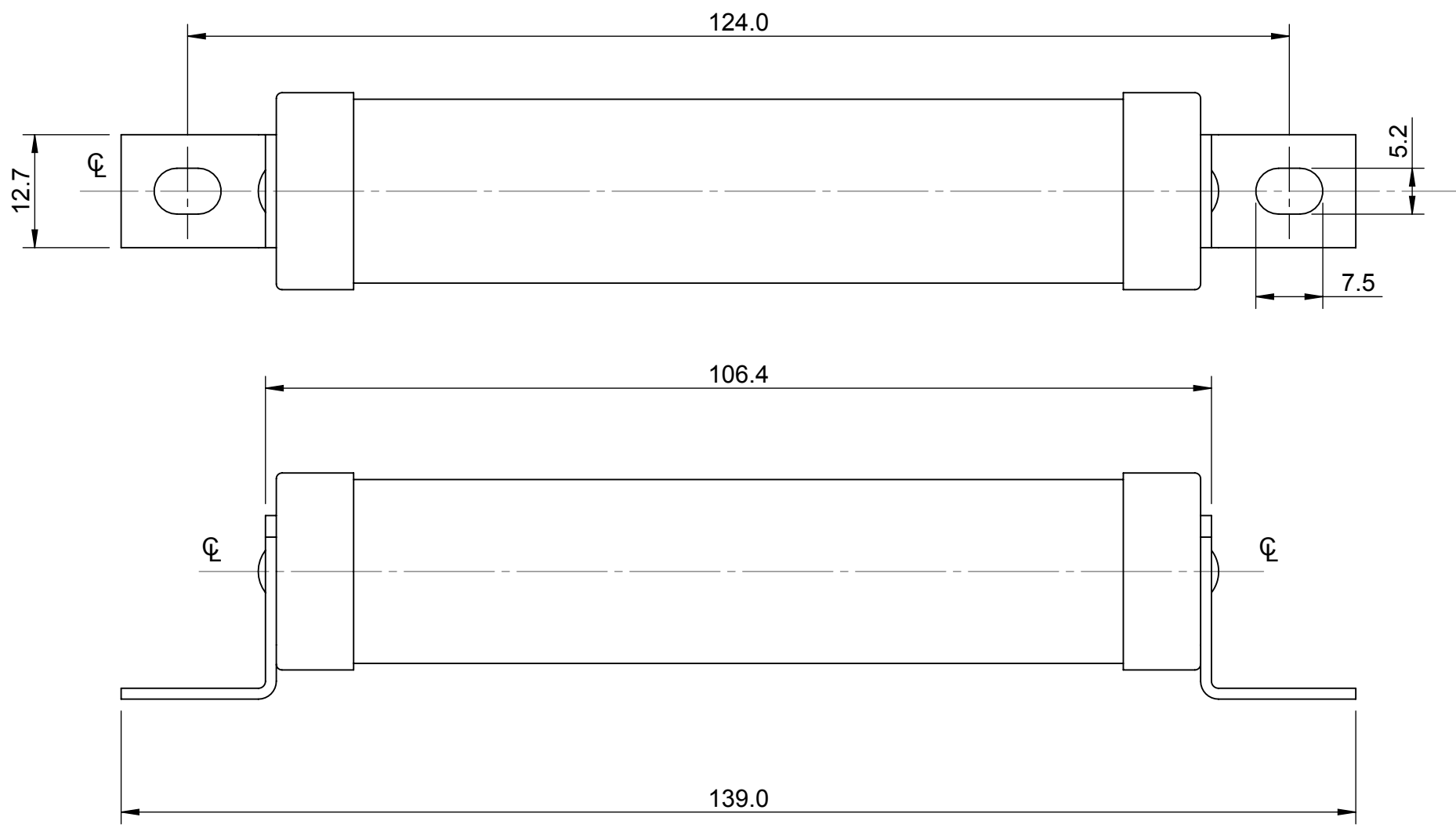


ITEM No. TAC--

| REVISION | | | | |
|----------|-------------------------------------|-----|------------|------------|
| REV | DESCRIPTION | BY | DATE | CHANGE NO. |
| B | DRAWING UPDATED WITH EATON TEMPLATE | JVM | 07/12/2016 | BUEI4519 |



| SL . No | ITEM No |
|---------|---------|
| 1 | TAC2 |
| 2 | TAC4 |
| 3 | TAC6 |
| 4 | TAC10 |
| 5 | TAC16 |
| 6 | TAC20 |
| 7 | TAC25 |
| 8 | TAC32 |

NOTE :

- FOR TAG ALIGNMENT TOLERANCE REF SPEC. 5782504.

| | | | | | | |
|--|---|---|-------------------------|---------------------|----------------------|--|
| MODEL SOURCE FILE: 1000001975 | UNLESS OTHERWISE SPECIFIED, ALL DIMENSIONS ARE IN MILLIMETERS. TOLERANCES UNLESS OTHERWISE SPECIFIED: GENERAL $\pm 0.4\text{mm}$ ANGULAR $\pm 1^\circ$ | OUTLINE FOR 'TAC' FUSELINKS (2 - 32 AMP) | | | | Powering Business Worldwide |
| | UNCONTROLLED COPY | DRAWN BY: RAG | DATE: 20/06/2012 | SCALE: NTS | ANGLE: THIRD | |
| THIS DRAWING IS CONFIDENTIAL AND THE COPYRIGHT OF EATON AND MUST NOT BE COPIED OR PASSED ON TO A THIRD PARTY WITHOUT WRITTEN CONSENT | | MATERIAL: VARIOUS | | FINISH: NONE | | EATON Burton-on-the-Wolds, Leics, LE12 5TH Tel +44 1509 882 600 |
| | | DWG NO: 1000001975 | | REV: B | SHEET: 1 OF 1 | |