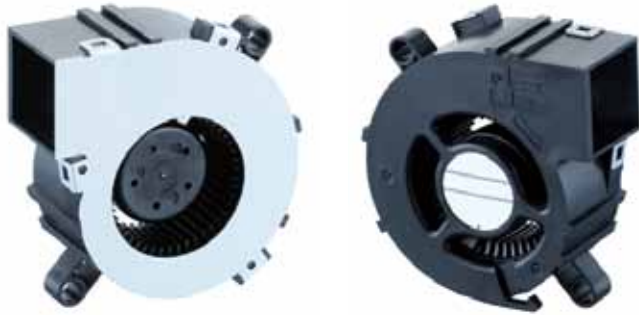


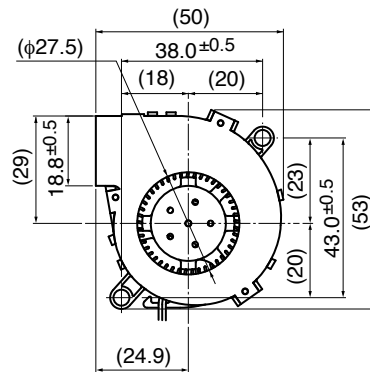
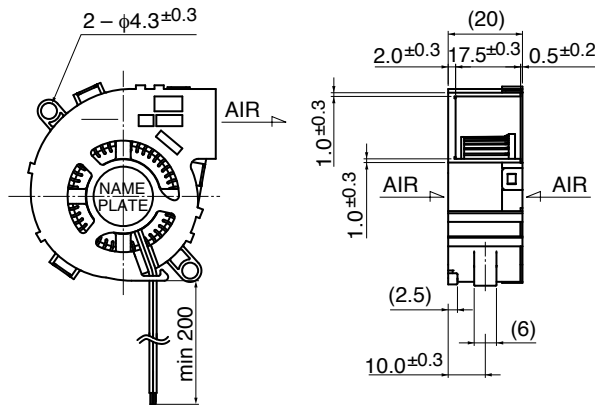
05020GA (BM5020)

Φ50X20^L

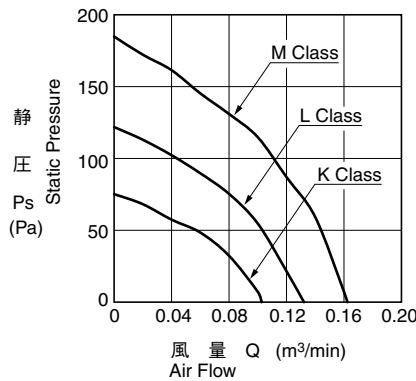
DC Blower Fan



Outline



Characteristic Curves



General Specifications

Motor Protection : Auto Restart / Polarity Protection

Insulation Resistance : 10MΩ or over with a DC500V Megger

Dielectric Withstand Voltage : AC700V 1s

Allowable Ambient Temperature Range : K · L Class : -10°C ~ +70°C (Operating)
M Class : -10°C ~ +60°C (Operating)
-40°C ~ +70°C (Storage)
non-condensing environment

Expected Life ※ Failure Rate: 10% (L10 Life)

25°C 50,000 (Hours)

Material

Casing Lower : Plastic (Black) UL94V-0

Casing Upper : Steel

Impeller : Plastic (Black) UL94V-0

Bearing : Ball Bearing

Lead Wire : UL1061 AWG26 + : Red, - : Black

Specifications

Model	Product No.	Rating Voltage	Operating Voltage	Current (A)*1	Input Power (W)*1	Speed (min ⁻¹)*1	Max. Air Flow		Max. Static Pressure		Noise (dB)*1	Mass (g)
		(V)	(V)				(m ³ /min)*1	(CFM)*1	(Pa)	(In H ₂ O)		
05020GA-12K-AA	00	12	4.5 ~ 13.8	0.07	0.84	3600	0.10	3.5	75.0	0.30	20.0	30
05020GA-12L-AA	00			0.12	1.44	4600	0.13	4.5	124.0	0.49	27.0	
05020GA-12M-AA	00			0.18	2.16	5600	0.16	5.6	184.0	0.73	32.0	

Rotation: Clockwise as seen from the label side

*1: Average Values in Free Air