

09533GA (BG0903)

Φ95X33^L

DC Blower Fan

DC FAN

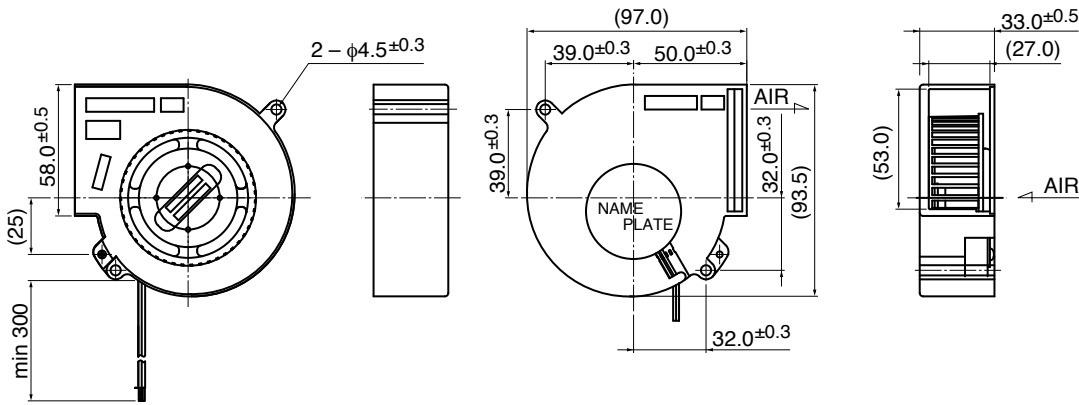


General Specifications

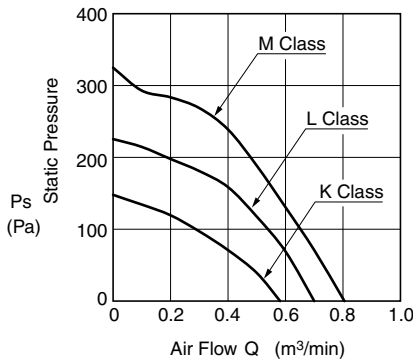
- Motor Protection : Auto Restart / Polarity Protection
- Insulation Resistance : 10MΩ or over with a DC500V Megger
- Dielectric Withstand Voltage : AC700V 1s
- Allowable Ambient : -10°C ~ +60°C (Operating)
- Temperature Range : -40°C ~ +70°C (Storage)
- non-condensing environment

Outline

- Expected Life : 25°C 100,000 (Hours)
- ※ Failure Rate: 10% (L10 Life)



Characteristic Curves



Material

- Casing : Plastic (Black) UL94V-0
- Impeller : Plastic (Black) UL94V-0
- Bearing : Ball Bearing
- Lead Wire : UL1007 AWG26 + : Red, - : Black

Specifications

Model	Product No.	Rating Voltage	Operating Voltage	Current	Input Power	Speed	Max. Air Flow		Max. Static Pressure		Noise	Mass
		(V)	(V)	(A)*1	(W)*1	(min ⁻¹)*1	(m ³ /min)*1	(CFM)*1	(Pa)	(In H ₂ O)	(dB)*1	(g)
09533GA-12K-AA	00	12	8.0 ~ 13.8	0.40	4.80	2700	0.58	20.4	152.0	0.61	47.5	210
09533GA-12L-AA	00			0.64	7.68	3200	0.70	24.7	225.0	0.90	51.5	
09533GA-12M-AA	00		8.0 ~ 13.0	1.03	12.40	3700	0.81	28.6	342.0	1.37	54.5	
09533GA-24K-AA	00	24	10.0 ~ 27.6	0.21	5.04	2700	0.58	20.4	152.0	0.61	47.5	
09533GA-24L-AA	00			0.33	7.92	3200	0.70	24.7	225.0	0.90	51.5	
09533GA-24M-AA	00		10.0 ~ 25.0	0.49	11.80	3700	0.81	28.6	342.0	1.37	54.5	

Rotation: Clockwise as seen from the label side

*1: Average Values in Free Air