

General Specifications

Motor Protection:

Auto Restart/Polarity Protection

Insulation Resistance:

10M Ω or over with a DC500V Megger

Dielectric Withstand Voltage: AC 700V 1s

Allowable Ambient Temperature Range:

-10°C ~ +60°C (Operating)

-40°C ~ +70°C (Storage)

(non-condensing environment)

Expected Life

Failure Rate: 10%

25°C 100,000 Hours

Material

Casing : Plastic (Black) UL94V-0

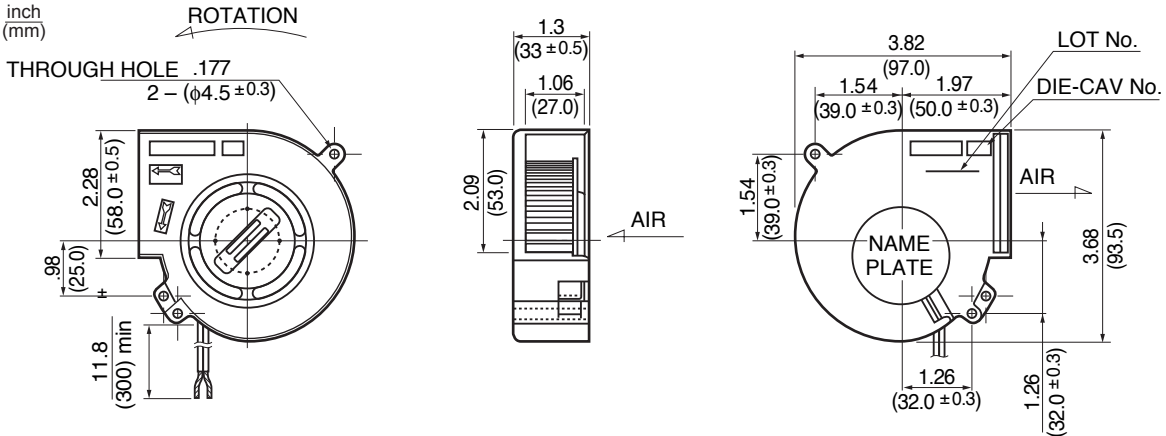
Impeller : Plastic (Black) UL94V-0

Bearing : Ball Bearing

Lead Wire : UL1007, AWG26, +Red, -Black

Outline

Units: inch
(mm)



Specifications

MODEL	LEGACY P/N	Rated Voltage	Operating Voltage	Current	Input Power	Speed	Max. Air Flow		Max. Static Pressure		Noise (dB) ^{*1}	Mass (g)
		(V)	(V)	(A) ^{*1}	(W) ^{*1}	(min ⁻¹) ^{*1}	CFM ^{*1}	(m ³ /min) ^{*1}	in H ₂ O	(Pa) ^{*1}		
09533GA-12K-AA-00	BG0903-B042-000-00	12	8 ~ 13.8	0.40	4.80	2700	20.5	0.58	.61	152	47.5	210
09533GA-12L-AA-00	BG0903-B043-000-00	12	8 ~ 13.8	0.64	7.68	3200	24.7	0.70	.90	225	51.5	210
09533GA-12M-AA-00	BG0903-B044-000-00	12	8 ~ 12.6	1.03	12.40	3700	28.6	0.81	1.4	342	54.5	210
09533GA-12Q-AA-00	BG0903-B047-000-00	12	9.5 ~ 13.2	1.6	19.20	5200	38.1	1.08	1.88	470	61.0	210
09533GA-24K-AA-00	BG0903-B052-000-00	24	10 ~ 27.6	0.21	5.04	2700	20.5	0.58	.61	152	47.5	210
09533GA-24L-AA-00	BG0903-B053-000-00	24	10 ~ 27.6	0.33	7.92	3200	24.7	0.70	.90	225	51.5	210
09533GA-24M-AA-00	BG0903-B054-000-00	24	10 ~ 25.0	0.49	11.80	3700	28.6	0.81	1.4	342	54.5	210

Rotation: Clockwise Label Side

*1: Average Values in Free Air

** Contact NMB for availability

Note: PWM/Locked Rotor/Tach Available

Characteristic Curves

