

15050VA

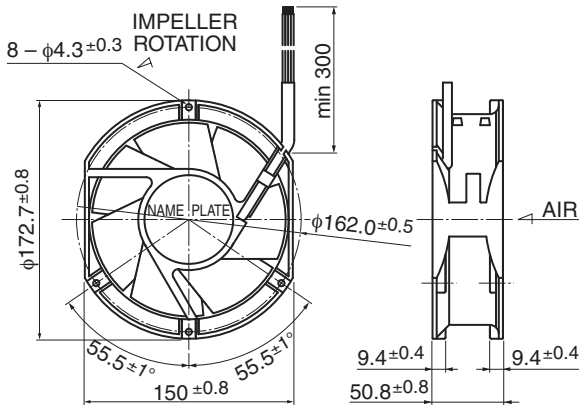
DC Axial Fan

/ 5920VL

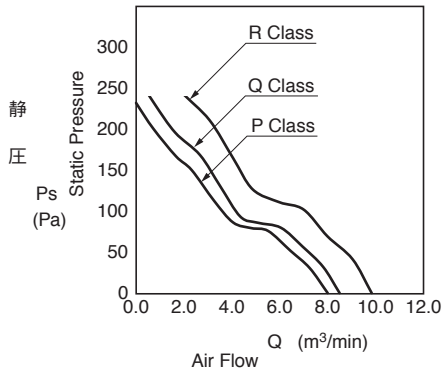
150X^Φ172X50^L



Outline



Characteristic Curves



Specifications

Model	Product No.	Rating Voltage	Operating Voltage	Current	Input Power	Speed	Max. Air Flow	Max. Static Pressure	Noise	Mass
		(V)	(V)	(A)*1	(W)*1	(min ⁻¹)*1	(m ³ /min)*1 (CFM)*1	(Pa)*1 (In H ₂ O)*1	(dB)*1	(g)
15050VA-24P-EA-	00	24	18.0 ~ 26.4	1.10	26.4	3750	8.0	232	62.0	750
15050VA-24Q-EA-	00			1.30	31.2	4000	8.5	267	64.0	
15050VA-24R-EA-	00			1.80	43.2	4600	9.8	312	68.0	
15050VA-48P-EA-	00	48	38.0 ~ 52.8	0.55	26.4	3750	8.0	232	62.0	
15050VA-48Q-EA-	00			0.65	31.2	4000	8.5	267	64.0	
15050VA-48R-EA-	00			0.90	43.2	4600	9.8	312	68.0	

Rotation: Counterclockwise as seen from the label side
Airflow Outlet: Label side

*1: Average Values in Free Air

General Specifications

Motor Protection : Auto Restart / Polarity Protection
Insulation Resistance : 10MΩ or over with a DC500V Megger

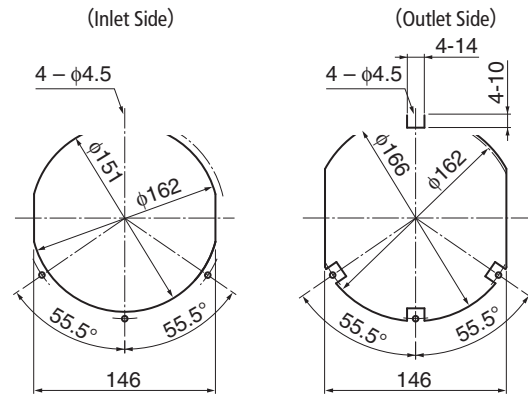
Dielectric Withstand Voltage : AC700V 1s

Allowable Ambient Temperature Range : -10°C ~ +70°C (Operating)
-40°C ~ +70°C (Storage)
non-condensing environment

Expected Life : ※ Failure Rate: 10% (L10 Life)

25°C 100,000 (Hours)

Panel Out-cuts



Material

Casing : Aluminum (Black Painting)
Impeller : Plastic (Black) UL94V-0
Bearing : Ball Bearing
Lead Wire : UL10368 AWG22 + : Red, - : Black

* Customize service for IP compatible type and Oil-proof type is available for this item. Please contact to our sales representative for more detail.



Semic Trade, s.r.o., Volutová 2521/18, 158 00 Praha 5
Telephone: +420 251 625 331, 251 625 332, 251 625 377
GSM: +420 605 999 994 Fax: +420 251 626 252, 251 626 393



www.semic.cz
semic@semic.cz