

15050VA (5920VL)

150X^Φ172X50^L

DC Axial Fan



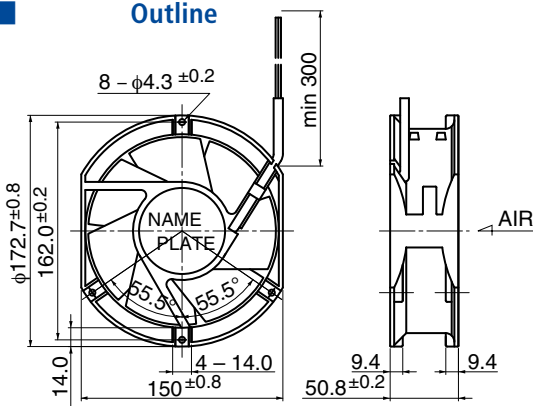
General Specifications

- Motor Protection: Auto Restart / Polarity Protection
- Insulation Resistance: 10MΩ or over with a DC500V Megger
- Dielectric Withstand Voltage: AC700V 1s
- Allowable Ambient: -10°C ~ +70°C (Operating)
- Temperature Range: -40°C ~ +70°C (Storage)
- non-condensing environment

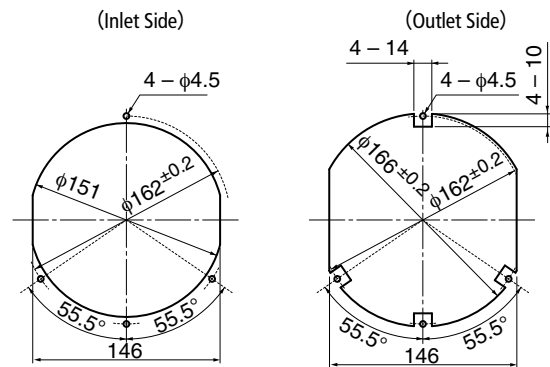
Expected Life ※ Failure Rate: 10% (L10 Life)

25°C / 100,000 (Hours)

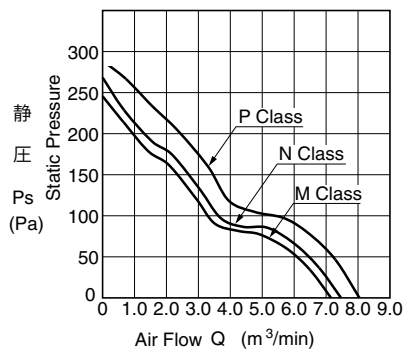
Outline



Panel Out-cuts



Characteristic Curves



Material

- Casing: Aluminum (Black Painting)
- Impeller: Plastic (Black) UL94V-0
- Bearing: Ball Bearing
- Lead Wire: UL10368 AWG22 +: Red, -: Black

Specifications

Model	Product No.	Rating Voltage	Operating Voltage	Current	Input Power	Speed	Max. Air Flow		Max. Static Pressure		Noise	Mass
		(V)	(V)				(m³/min)*1	(CFM)*1	(Pa)	(In H ₂ O)		
15050VA-24M-EA	C0	24	18 ~ 26,4	0.80	19.2	3350	7.1	251	245	0.98	58	750
15050VA-24N-EA	C0			0.90	21.6	3500	7.4	261	268	1.07	60	
15050VA-24P-EA	C0			1.10	26.4	3750	8.0	282	288	1.15	62	
15050VA-48M-EA	C0	48	38 ~ 52,8	0.39	18.7	3350	7.1	251	245	0.98	58	
15050VA-48N-EA	C0			0.46	22.1	3500	7.4	261	268	1.07	60	
15050VA-48P-EA	C0			0.53	25.4	3750	8.0	282	288	1.15	62	

Rotation: Counterclockwise as seen from the label side
Airflow Outlet: Label side

*1: Average Values in Free Air



Semic Trade, s.r.o., Volutová 2521/18, 158 00 Praha 5
Telephone: +420 251 625 331, 251 625 332, 251 625 377
GSM: +420 605 999 994 Fax: +420 251 626 252, 251 626 393



www.semic.cz
semic@semic.cz