

17250VA / 6820VL

Φ172X50^L

DC Axial Fan



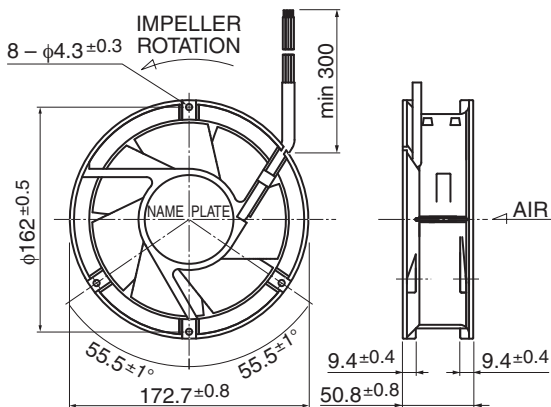
General Specifications

Motor Protection	Auto Restart / Polarity Protection
Insulation Resistance	10MΩ or over with a DC500V Megger
Dielectric Withstand Voltage	AC700V 1s

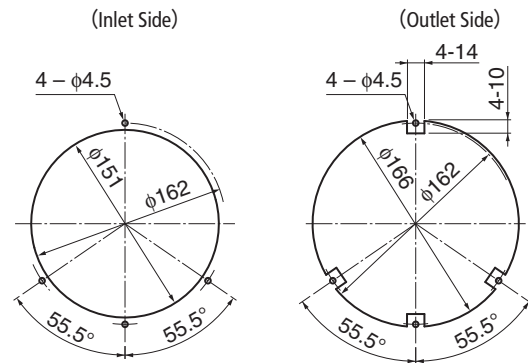
Allowable Ambient Temperature Range	-10°C ~ +70°C (Operating) -40°C ~ +70°C (Storage) non-condensing environment
-------------------------------------	--

Expected Life ※ Failure Rate: 10% (L10 Life)
25°C 100,000 (Hours)

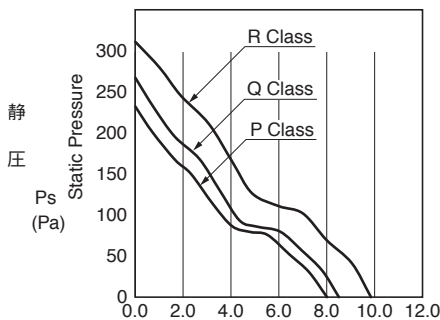
Outline



Panel Out-cuts



Characteristic Curves



Material

Casing	: Aluminum (Black Painting)
Impeller	: Plastic (Black) UL94V-0
Bearing	: Ball Bearing
Lead Wire	: UL10368 AWG22 + : Red, - : Black

Customize service for IP compatible type and Oil-proof type is available for this item. Please contact to our sales representative for more detail.

Specifications

Model	Product No.	Rating Voltage	Operating Voltage	Current (A)*1	Input Power (W)*1	Speed (min ⁻¹)*1	Max. Air Flow		Max. Static Pressure		Noise (dB)*1	Mass (g)
		(V)	(V)				(m ³ /min)*1	(CFM)*1	(Pa)*1	(In H ₂ O)*1		
17250VA-24P-EA-	00	24	18.0 ~ 26.4	1.10	26.4	3750	8.0	282	232	0.93	56.0	830
17250VA-24Q-EA-	00			1.30	31.2	4000	8.5	300	267	1.07	58.0	
17250VA-24R-EA-	00			1.80	43.2	4600	9.8	346	312	1.25	62.0	
17250VA-48P-EA-	00	48	38.0 ~ 52.8	0.55	26.4	3750	8.0	282	232	0.93	56.0	
17250VA-48Q-EA-	00			0.65	31.2	4000	8.5	300	267	1.07	58.0	
17250VA-48R-EA-	00			0.90	43.2	4600	9.8	346	312	1.25	62.0	

Rotation: Counterclockwise as seen from the label side

Airflow Outlet: Label side

*1: Average Values in Free Air



Semic Trade, s.r.o., Volutová 2521/18, 158 00 Praha 5
Telephone: +420 251 625 331, 251 625 332, 251 625 377
GSM: +420 605 999 994 Fax: +420 251 626 252, 251 626 393



www.semic.cz
semic@semic.cz