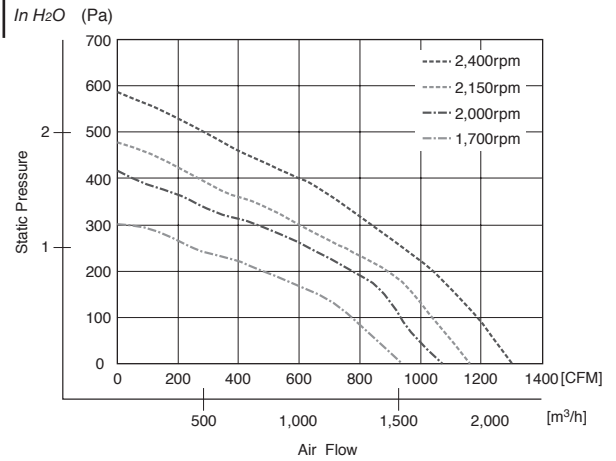




Characteristic Curves



General Specifications

Motor Protection:

Locked Rotor, Reverse Polarity

Insulation Resistance:

10M Ω min measured with 500V DC between all leads shorted together and case

Dielectric Withstand Voltage: AC 500V 1 minute

Allowable Ambient Temperature Range:

-30°C ~ +70°C (Operating)
-40°C ~ +80°C (Storage)

Expected Life

L10 Life:

40°C 70,000 Hours

Material

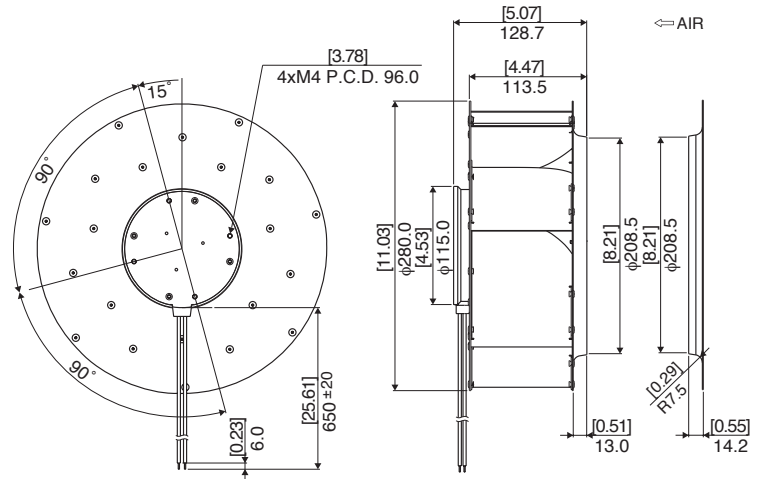
Impeller : Aluminum

Bearing : Ball Bearing

Lead Wire: UL1015, AWG18, +Red, -Black,
Speed Control = Yellow,
Speed Signal = White

Outline

Units: [inch]
mm



Specifications

| MODEL | Rated Voltage | Operating Voltage | Current | Input Power | Speed | Max. Air Flow | | Max. Static Pressure | | Noise | Mass |
|------------------|---------------|-------------------|-------------------|-------------------|------------------------------------|-------------------|------------------------------------|----------------------|--------------------|--------------------|------|
| | (V) | (V) | (A) ^{*1} | (W) ^{*1} | (min ⁻¹) ^{*1} | CFM ^{*1} | (m ³ /hr) ^{*1} | in H ₂ O | (Pa) ^{*1} | (dB) ^{*1} | (g) |
| F280A1-113-D0720 | 48 | 36 ~ 72 | 5.30 | 254.4 | 2400 | 1333 | 2265 | 2.43 | 607 | 81 | 2100 |
| F280A2-113-D0720 | 48 | 36 ~ 72 | 3.40 | 163.2 | 2000 | 1131 | 1922 | 1.72 | 430 | 75 | 2100 |
| F280A3-113-D0520 | 24 | 18 ~ 30 | 7.10 | 170.4 | 2150 | 1173 | 1993 | 1.96 | 489 | 77 | 2100 |
| F280A4-113-D0510 | 24 | 18 ~ 30 | 3.80 | 91.2 | 1700 | 940 | 1597 | 1.25 | 313 | 70 | 2100 |

Rotation: Clockwise looking at Air Inlet

*1: Average Values in Free Air and Rated Voltage Condition