

Quartz Crystal Unit (49US/SM,49SL/SLM Series)

49US ,49SL,49SSL Series : HC-49US,HC-49SI,HC-49SSI Quartz Crystal

49SMT,49SLMT,49SSLMT Series : HC-49SMT,HC-49SLMT,HC-49SSLMT SMT Type

3.000 - 80.000MHz

● SPECIFICATION

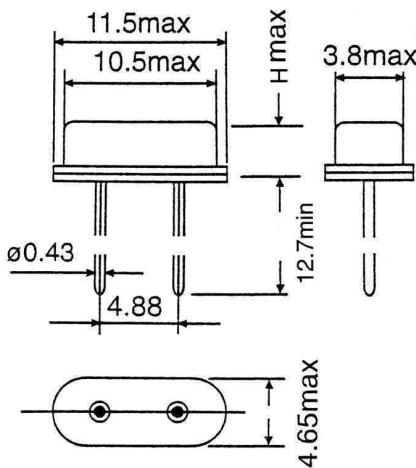
Frequency Range	3.000 - 80.000MHz
Vibration Mode	AT-Cut fundamental , third , fifth , seventh
Frequency Tolerance (25°C)	±10,±20,±30PPM
Operation Temperature	-20°C ~ +70°C
Shunt Capacitance	7pF max or Special
Load Capacitance	Series,16 , 20 , 22 , 30pF or Special
Drive Level	50,100,300,500,1000 μW
Insulation Resistance	500MΩ min/DC
Aging	±3,±5PPM/year

● EQUIVALENT SERIES RESISTANCE

Frequency (MHz)	ESR(Ω)max
Fundamental	
3.000 - 3.799MHz	180
3.800 - 4.999MHz	150
5.000 - 5.999MHz	120
6.000 - 7.999MHz	80
8.000 - 9.999MHz	80
10.000 - 11.999MHz	50
12.000 - 15.999MHz	50
16.000 - 19.999MHz	40
20.000 - 35.000MHz	40
3rd Overtone	
26.000 - 39.999MHz	100
40.000 - 80.000MHz	80

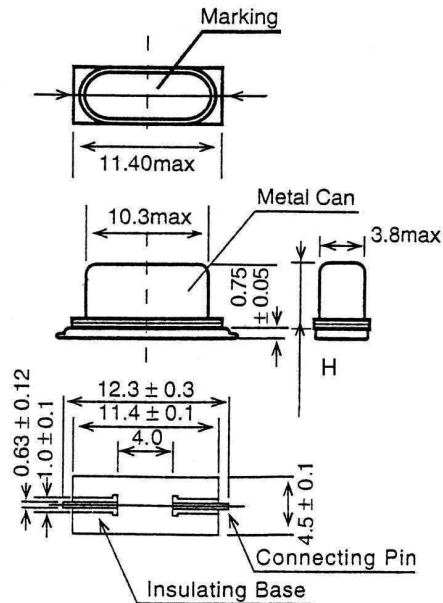
● DIMENSIONS (mm)

49US & 49SL Series



Series	H
49US	3.5max
49SL	2.5max
49SSL	2.0max

49SM & 49SLM Series



Series	H
49SMT	4.2max
49SLMT	3.2max
49SSLMT	2.7max