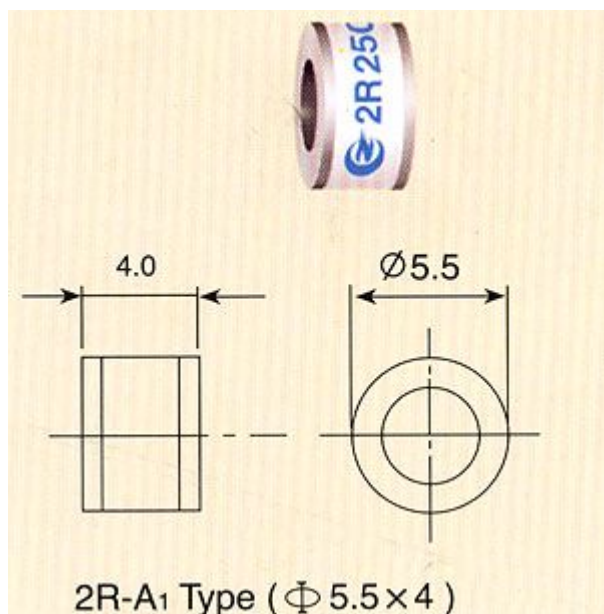
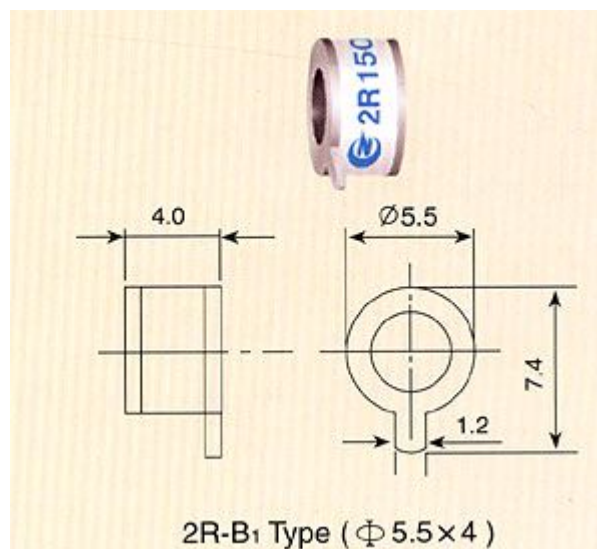
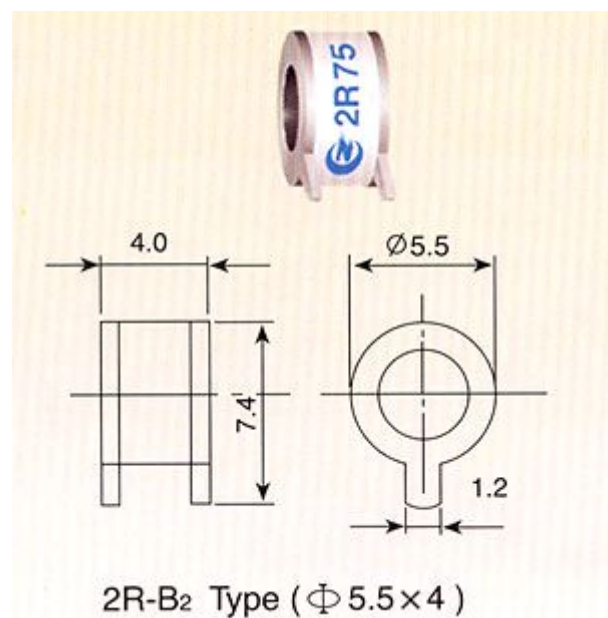
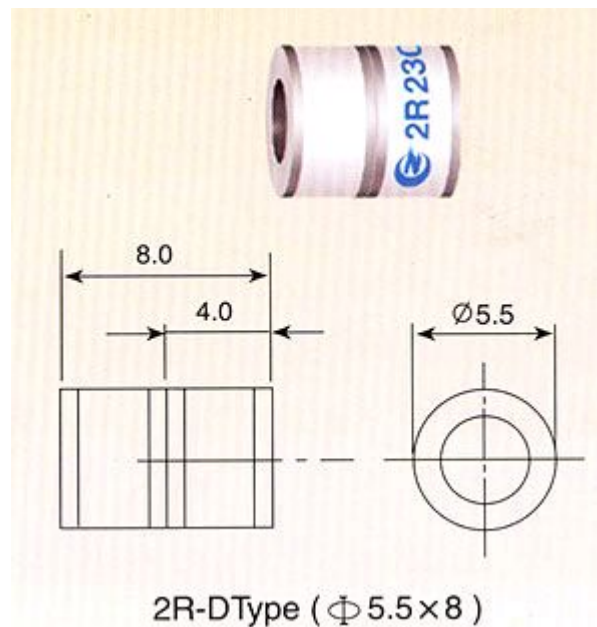
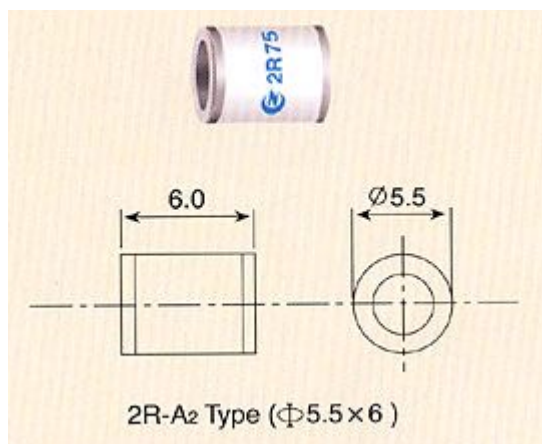
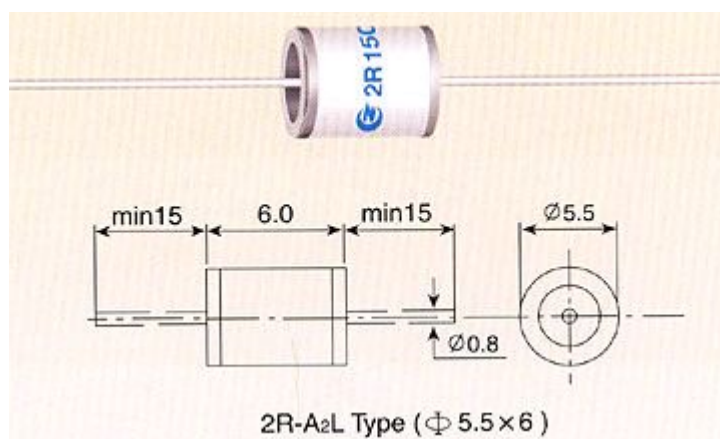
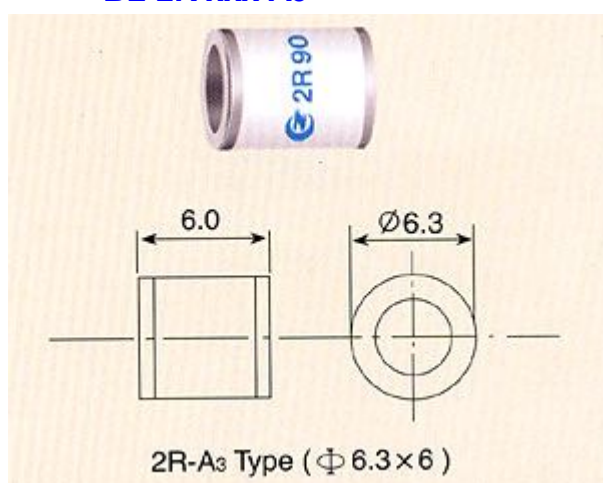
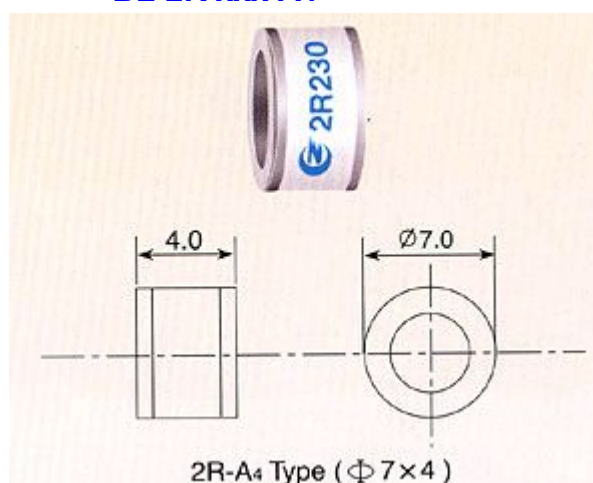
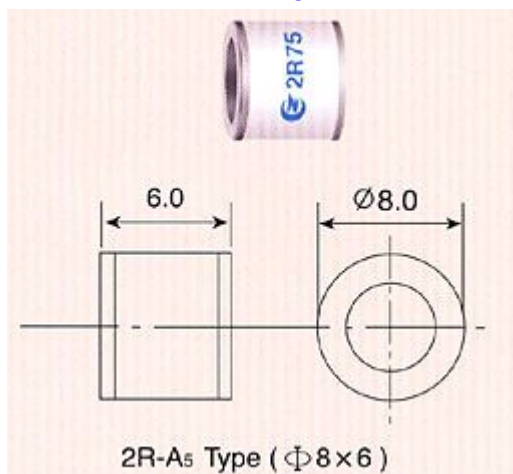
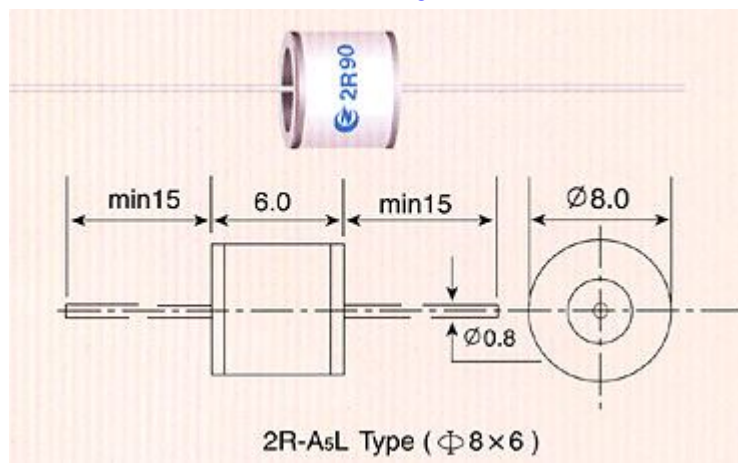
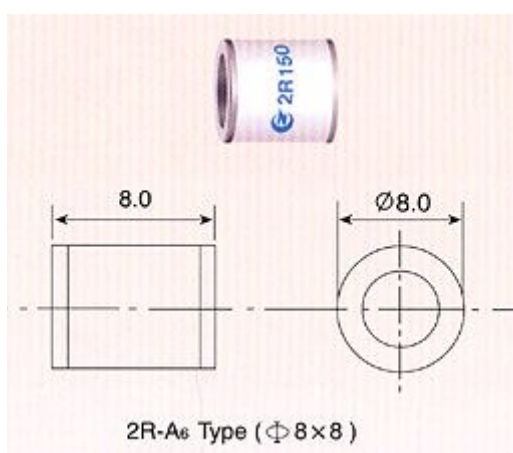
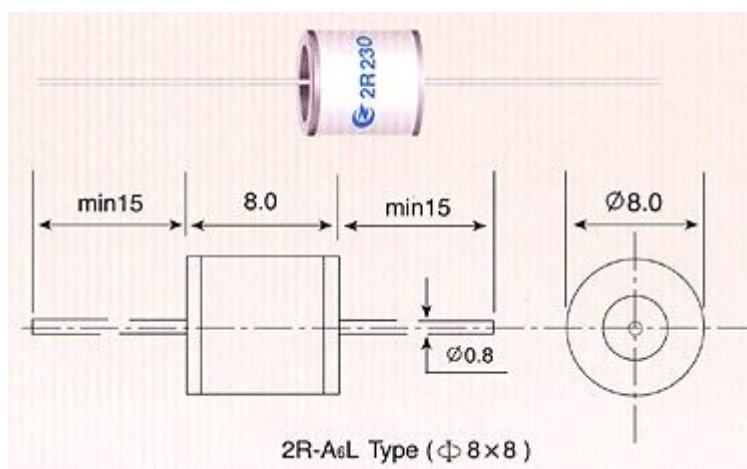


BL-2R xxx-A1**BL-2R xxx B1****BL-2R xxx B2****BL-2R xxx D**

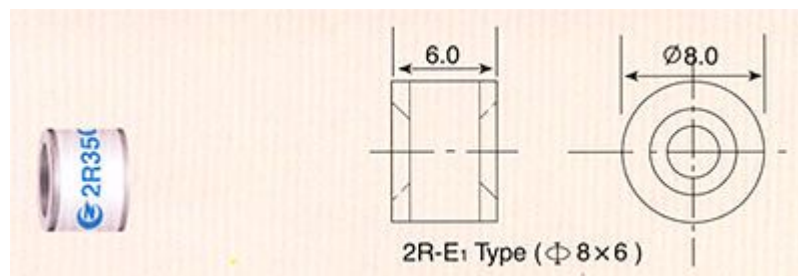
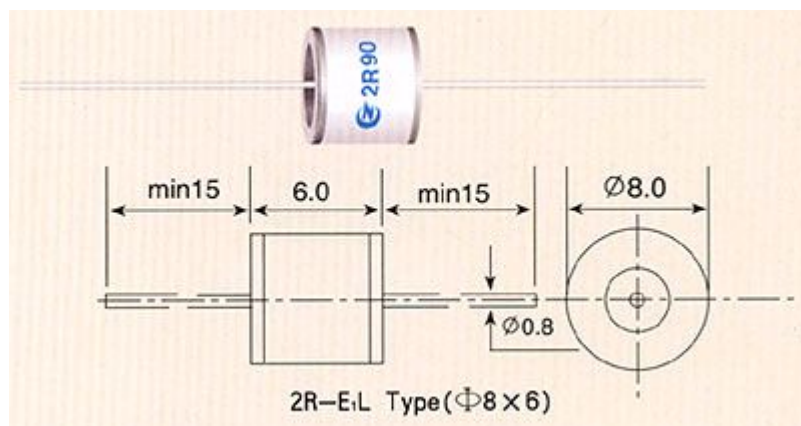
type	DC spark-over voltage (100V/s) [V]	Impulse spark-over voltage (1kV/us) [V]	Impulse discharge current (10/1000us, 300times) [A]	Impulse discharge current (8/20us, 10x) [kA]	AC discharge current (50Hz 1s, 5times)	Holdover voltage [V]	Insulation resistance [Ω]	Capacitance [pF]
BL-2R-75 A1 (B1, B2, D)	75±25%	≤600	50	5	5		≥10 ¹⁰	<1.5
BL-2R-90 A1 (B1, B2, D)	90±25%	≤600	50	5	5		≥10 ¹⁰	<1.5
BL-2R-150 A1 (B1, B2, D)	150±20%	≤700	100	5	5	80	≥10 ¹⁰	<1
BL-2R-230 A1 (B1, B2, D)	230 ⁺³⁰ ₋₄₀	≤800	100	5	5	135	≥10 ¹⁰	<1
BL-2R-250 A1 (B1, B2, D)	250±20%	≤800	100	5	5	135	≥10 ¹⁰	<1
BL-2R-350 A1 (B1, B2, D)	350±20%	≤800	100	5	5	135	≥10 ¹⁰	<1

Přepět'ové ochrany – BLESKOJISTKY 2-pólové**BL-2R xxx A2****BL-2R xxx A2L****BL-2R xxx A3****BL-2R xxx A4**

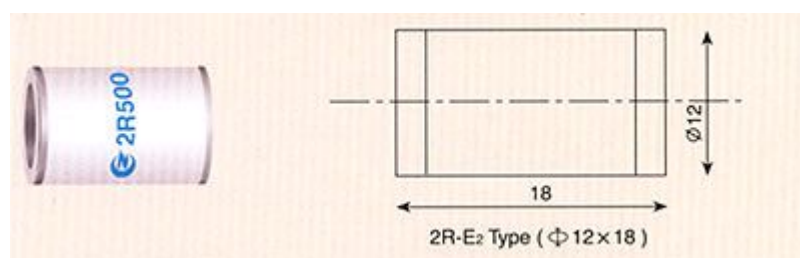
type	DC spark-over voltage (100V/s) [V]	Impulse spark-over voltage (1kV/us) [V]	Impulse discharge current (10/1000us, 300times) [A]	Impulse discharge current (8/20us, 10x) [kA]	AC discharge current (50Hz 1s, 5times)	Holdover voltage [V]	Insulation resistance [Ω]	Capacitance [pF]
BL-2R-75 A2 (L) BL-2R-75 A3 BL-2R-75 A4	75±25%	≤600	50	5	5		≥10 ¹⁰	<1.5
BL-2R-90 A2 (L) BL-2R-90 A3 BL-2R-90 A4	90±20%	≤600	50	5	5		≥10 ¹⁰	<1.5
BL-2R-150 A2 (L) BL-2R-150 A3 BL-2R-150 A4	150±20%	≤700	100	5	5	80	≥10 ¹⁰	<1
BL-2R-230 A2 (L) BL-2R-230 A3 BL-2R-230 A4	230 ⁺³⁰ ₋₄₀	≤800	100	5	5	135	≥10 ¹⁰	<1
BL-2R-350 A2 (L) BL-2R-350 A3 BL-2R-350 A4	350±20%	≤800	100	5	5	135	≥10 ¹⁰	<1
BL-2R-470 A2 (L) BL-2R-470 A3 BL-2R-470 A4	470±20%	≤900	100	5	5	135	≥10 ¹⁰	<1
BL-2R-600 A2 (L) BL-2R-600 A3 BL-2R-600 A4	600±20%	≤1200	100	5	5	135	≥10 ¹⁰	<1

Přepět'ové ochrany - BLESKOJISTKY 2-pólové**BL-2R xxx A5****BL-2R xxx A5L****BL-2R xxx A6****BL-2R xxx A6L**

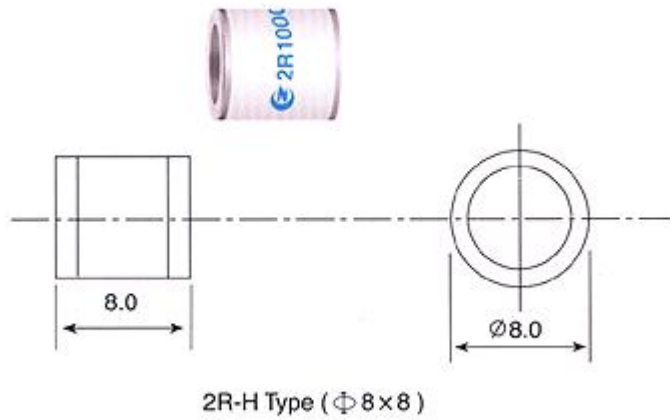
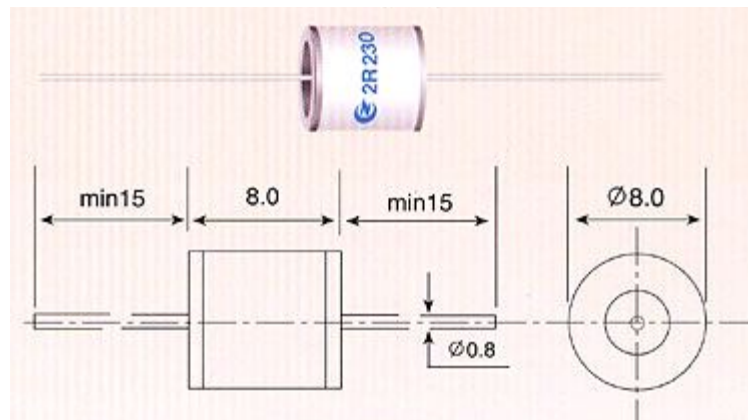
type	DC spark-over voltage (100V/s) [V]	Impulse spark-over voltage (1KV/us) [V]	Impulse discharge current (10/1000us, 300times) [A]	Impulse discharge current (8/20us, 10x) [kA]	AC discharge current (50Hz 1s, 5times)	Holdover voltage [V]	Insulation resistance [Ω]	Capacitance [pF]
BL-2R-75 A5 (L) BL-2R-75 A6 (L)	75±25%	≤600	100	10	10		≥10 ¹⁰	<1.5
BL-2R-90 A5 (L) BL-2R-90 A6 (L)	90±20%	≤600	100	10	10		≥10 ¹⁰	<1.5
BL-2R-150 A5 (L) BL-2R-150 A6 (L)	150±20%	≤700	100	10	10	80	≥10 ¹⁰	<1
BL-2R-230 A5 (L) BL-2R-230 A6 (L)	230 ⁺³⁰ ₋₄₀	≤800	100	10	10	135	≥10 ¹⁰	<1
BL-2R-350 A5 (L) BL-2R-350 A6 (L)	350±20%	≤800	100	10	10	135	≥10 ¹⁰	<1
BL-2R-470 A5 (L) BL-2R-470 A6 (L)	470±20%	≤900	100	10	10	135	≥10 ¹⁰	<1
BL-2R-600 A5 (L) BL-2R-600 A6 (L)	600±20%	≤1200	100	10	10	135	≥10 ¹⁰	<1
BL-2R-800 A5 (L) BL-2R-800 A6 (L)	800±20%	≤1400	100	10	10	135	≥10 ¹⁰	<1

Přepět'ové ochrany - BLESKOJISTKY 2-pólové**BL-2R xxx E1****BL-2R xxx E1L**

type	DC spark-over voltage (100V/s) [V]	Impulse spark-over voltage (1KV/us) [V]	Impulse discharge current (10/1000us, 300times) [A]	Impulse discharge current (8/20us, 10x) [kA]	AC discharge current (50Hz 1s, 5times)	Holdover voltage [V]	Insulation resistance [Ω]	Capacitance [pF]
BL-2R-90 E1 BL-2R-90 E1L	90±25%	≤600	100	20	20		≥10 ¹⁰	≤1.5
BL-2R-150 E1 BL-2R-150 E1L	150±20%	≤700	100	20	20	80	≥10 ¹⁰	≤1
BL-2R-230 E1 BL-2R-230 E1L	230±20%	≤800	100	20	20	150	≥10 ¹⁰	≤1
BL-2R-350 E1 BL-2R-350 E1L	350±20%	≤800	100	20	20	150	≥10 ¹⁰	≤1
BL-2R-470 E1 BL-2R-470 E1L	470±20%	≤900	100	20	20	150	≥10 ¹⁰	≤1
BL-2R-600 E1 BL-2R-600 E1L	600±20%	≤1200	100	20	20	150	≥10 ¹⁰	≤1

BL-2R xxx E2

type	DC spark-over voltage (100V/s) [V]	Impulse spark-over voltage (1KV/us) [V]	Impulse discharge current (10/1000us, 300times) [A]	Impulse discharge current (8/20us, 10x) [kA]	AC discharge current (50Hz 1s, 5times)	Holdover voltage [V]	Insulation resistance [Ω]	Capacitance [pF]
BL-2R-500 E2	500±20%	≤1000	100	30	30	150	≥10 ¹⁰	≤2.5
BL-2R-800 E2	800±20%	≤1800	100	30	30	150	≥10 ¹⁰	≤2.5

Přepět'ové ochrany - BLESKOJISTKY 2-pólové**BL-2R xxx H****BL-2R xxx HL**

type	DC spark-over voltage (100V/s) [V]	Impulse spark-over voltage (1KV/us) [V]	Impulse discharge current (10/1000us, 300times) [A]	Impulse discharge current (8/20us, 10x) [kA]	AC discharge current (50Hz 1s, 5times)	Holdover voltage [V]	Insulation resistance [Ω]	Capacitance [pF]
BL-2R-1000 H BL-2R-1000 HL	1000±20%	≤1500	100	3	1	80	≥10 ¹⁰	≤1.5
BL-2R-1500 H BL-2R-1500 HL	1500±20%	≤2200	100	3	1	80	≥10 ¹⁰	≤1
BL-2R-2000 H BL-2R-2000 HL	2000±20%	≤2700	100	3	1	80	≥10 ¹⁰	≤1